

SKIRTING

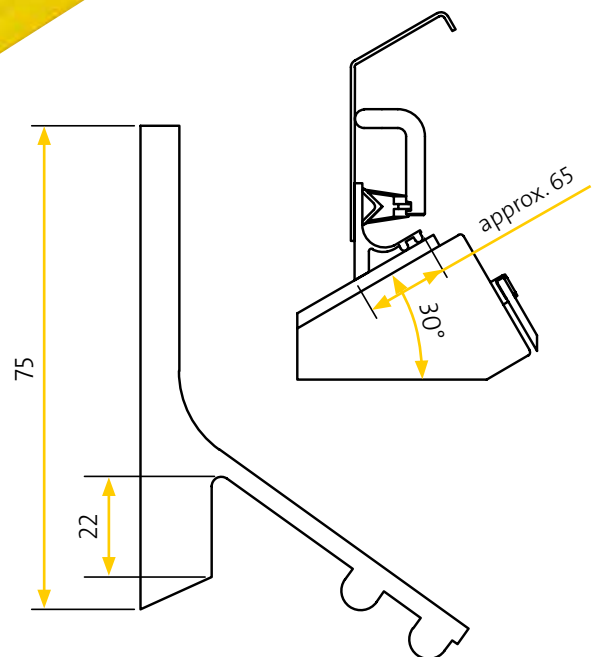
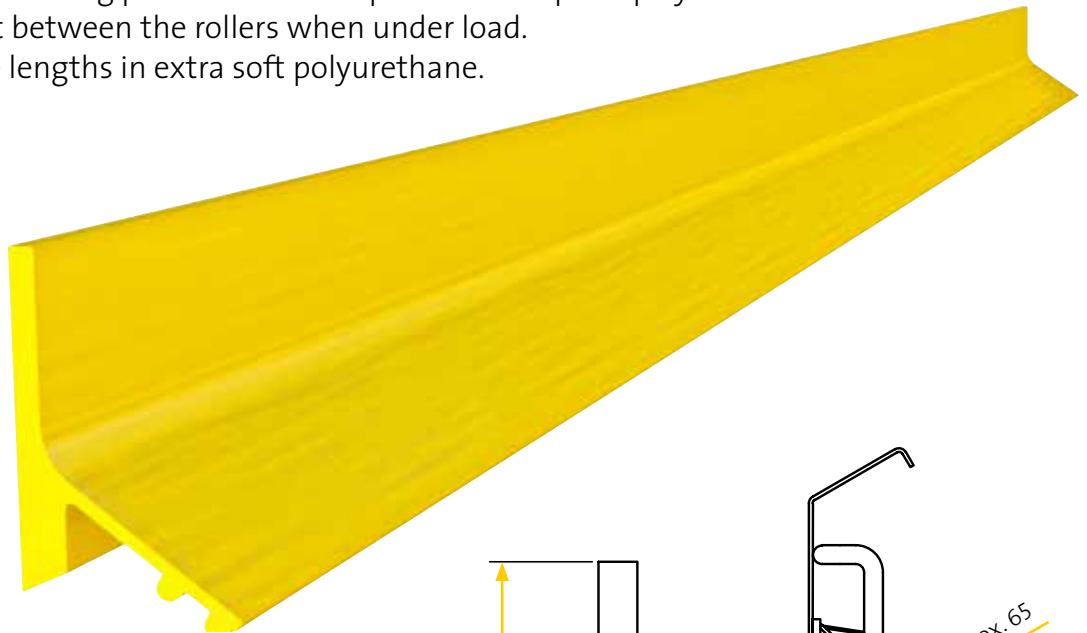
6450

SIDE SEALING STRIP MADE OF POLYURETHANE

– 3 way seal against the conveyor belt for smaller material sizes.

Effective seal between the conveyor belt and side plates when you have problems with material spill at the loading point. The soft 2-lip seal takes up the play that develops in the belt between the rollers when under load.

Supplied in 2 metre lengths in extra soft polyurethane.



Skirting 6450 is usually fitted where there is currently a skirt rubber.

The strip is made of durable 80° Shore polyurethane which provides low friction on the conveyor belt.

Length 2 metres.

