

ORIGO BELT GUIDE SET

3400

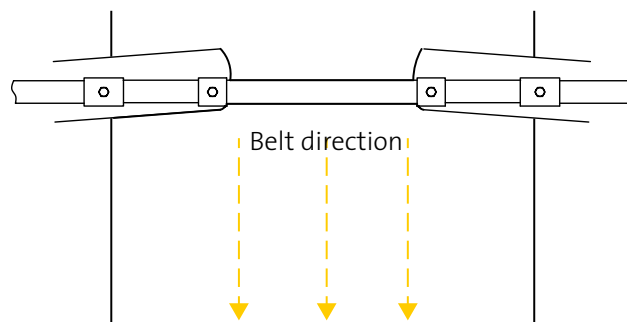
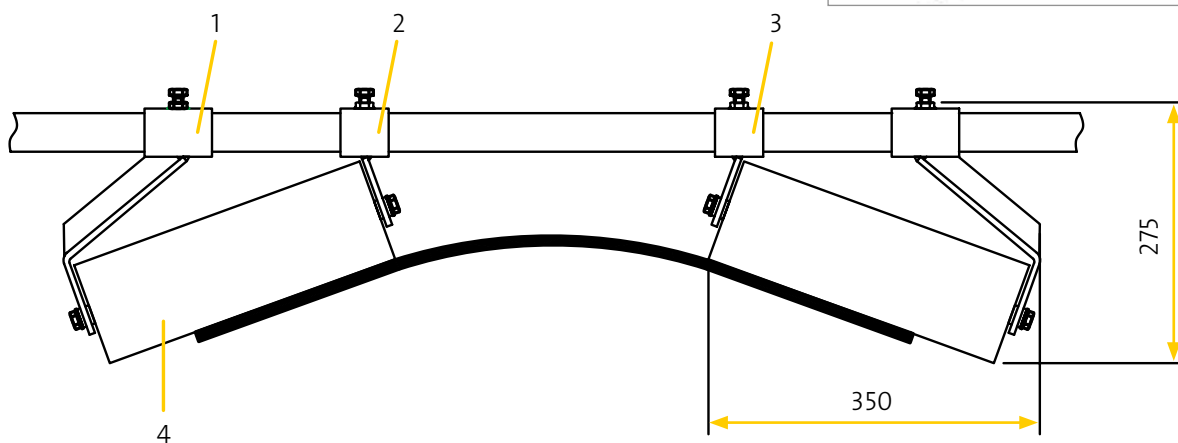
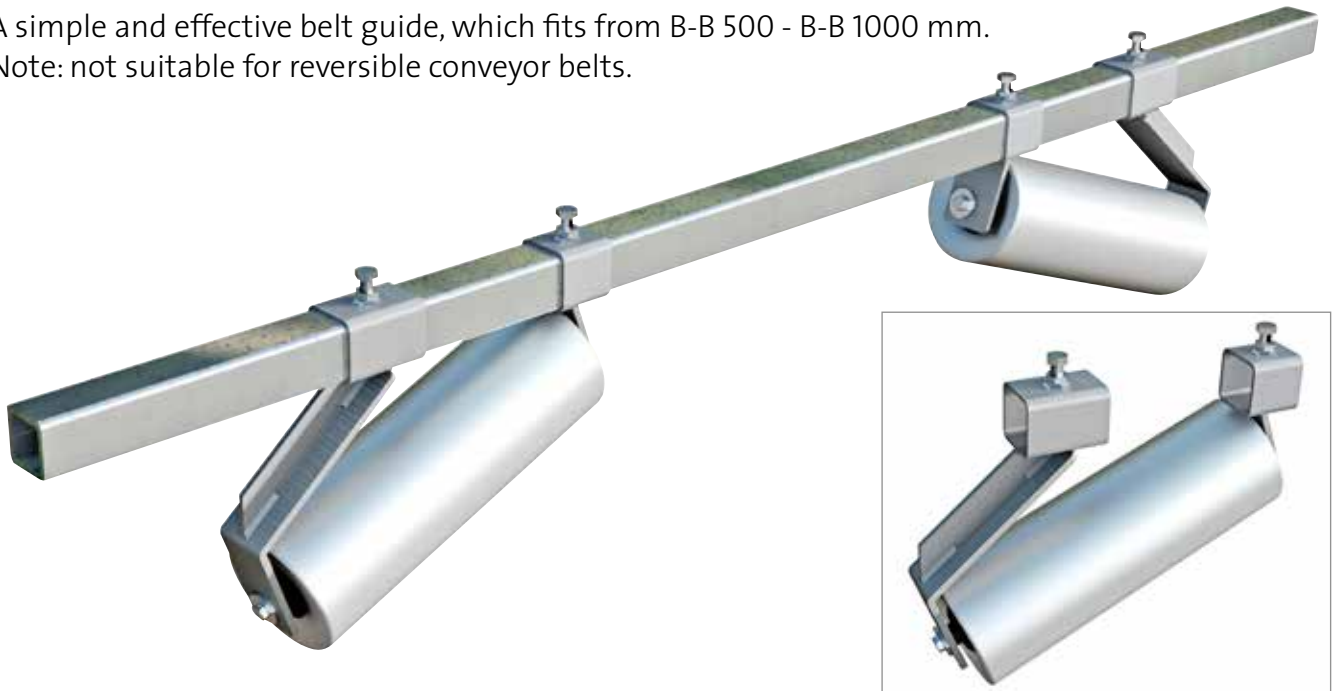
ORIGO BELT GUIDE SET

– Effective belt guidance that counteracts belt travel.

Origo belt guide set is placed over the belt's return run, approx. 250 mm from a return roller without rubber rings. The angle of the rollers ensures that the belt is constantly centred.

A simple and effective belt guide, which fits from B-B 500 - B-B 1000 mm.

Note: not suitable for reversible conveyor belts.



- 1. Origo side holder 3401
- 2. Centre bracket, left 3403
- 3. Centre bracket, right 3402
- 4. Origo track roller 3404

Tube 40x40 is not included.