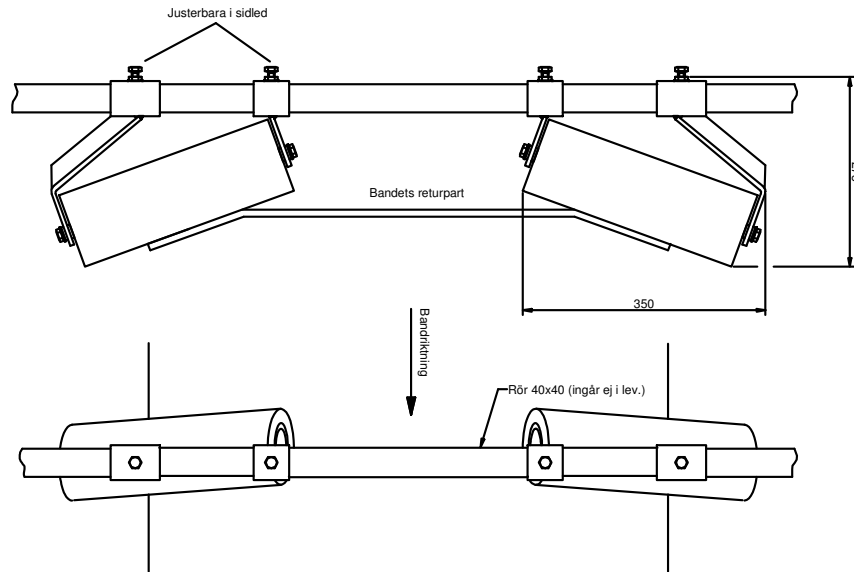


## FITTING THE ORIGO BELT GUIDE SET 3400



### GENERAL INFORMATION

Origo is mounted to avoid misalignment for the conveyor belt. Origo beltguide set is placed on the upper side of the return run of the conveyorbelt. The angle and position of the idlers allways tender to centralize the belt at all times. Suits from belt width 500 up to 1000 mm.

### IMPORTANT

In order to achieve the best results, the following conditions must be met:

The belt guide set Origo must not be fitted to reversible conveyors.

For best result must at least 2/3 parts of the shell of the idlers be in contact with the belt.

### CAUTION

Always turn off the belt conveyor before installing or carrying out maintenance on the Origo belt guide set.

Make sure that the belt cannot start while this work is in progress.

### FITTING

1.	Origo belt guide set must be placed in the close region to the tail pulley. If the belts runs centred over the tail pulley and at the loading point makes that the belt runs correctly the rest way.
2.	Mount the 4 holders with the idlers mounted on a square tube 40 x 40 mm.
3.	Fix the square tube to the conveyor frame app. 50 cm before a return idler, to have pressure on the guide set. Make sure that the position is right (see sketch at the first side) the point shall point to the head pulley. The closest return idler cannot have rubber discs.
4.	Adjust the pressure of the Origo, by changing the pressure: Origo – conveyor belt. Unlock the 4 bolts on the upper side of the holders and move the holders sideways on the square tube. For best result must at least 2/3 parts of the idlers be in contact with the belt.

### MAINTENANCE

Inspect the function regularly– we suggest once a week.

PLEASE NOTE: Turn off the belt when adjusting the product.

### WARRANTY

***Damage to the belt guide set caused by incorrect handling or in connection with incorrect installation cannot be considered to be covered by warranty if these instructions have not been followed. We therefore accept no claims for any consequential damage or loss.***