

## **PONTUS** secondary scraper

# 9500

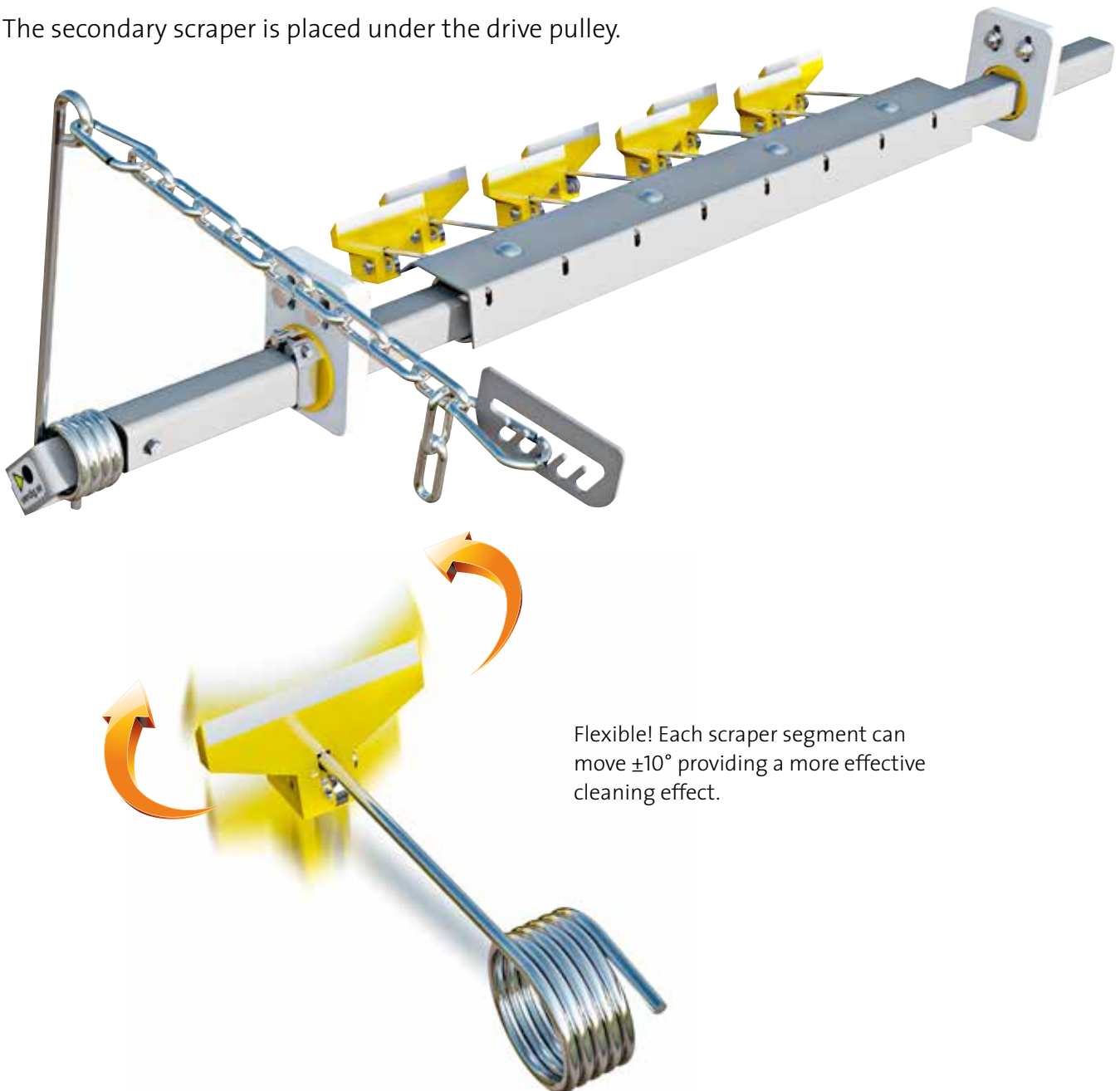
### **PONTUS SECONDARY-SCRAPER, CARBIDE**

– Carbide segments moving independently of each other for maximum flexibility.

Pontus secondary scraper 9500 has individually spring-loaded scraper segment with carbide blade which can move  $\pm 10^\circ$  during operation and is therefore very flexible against the belt. This means that they have a highly effective cleaning effect.

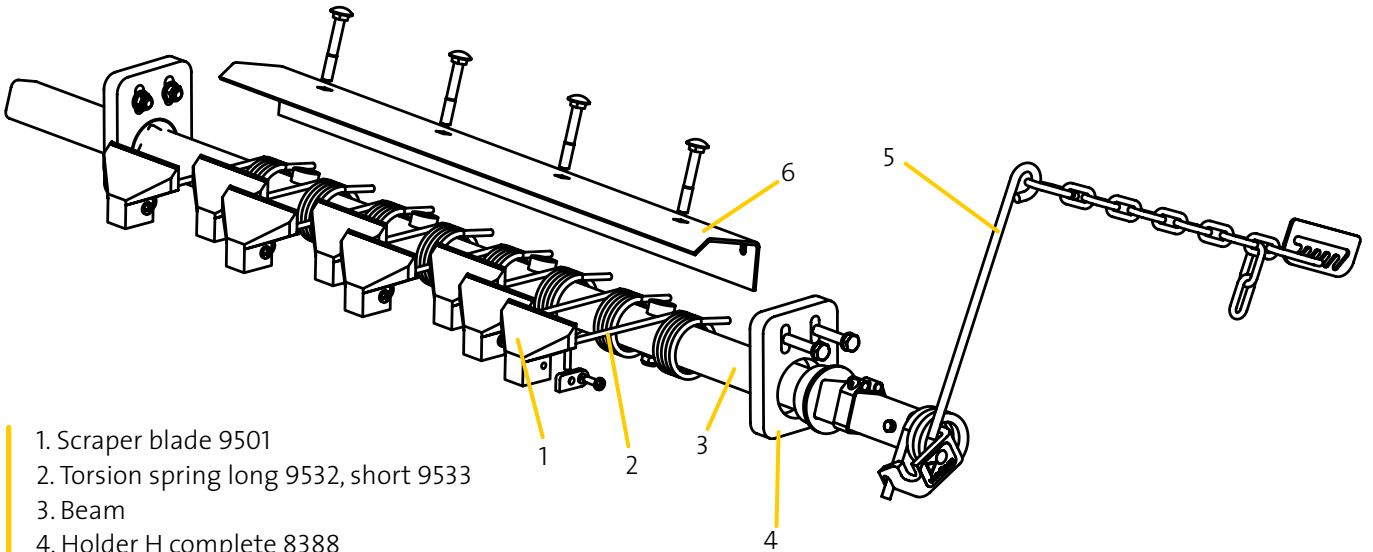
The segments are changed easily using a Phillips screwdriver. The spring lever in combination with the chain means that the scraper pressure can be easily adjusted without tools.

The secondary scraper is placed under the drive pulley.



Flexible! Each scraper segment can move  $\pm 10^\circ$  providing a more effective cleaning effect.

Product information 9500

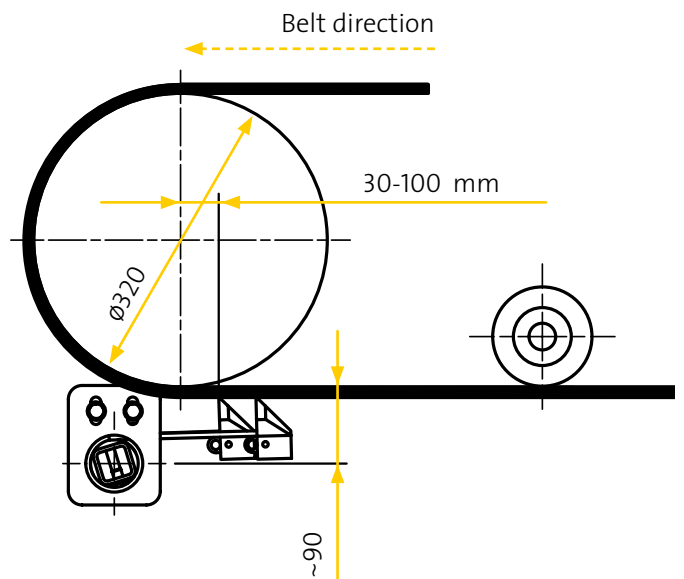


- 1. Scraper blade 9501
- 2. Torsion spring long 9532, short 9533
- 3. Beam
- 4. Holder H complete 8388
- 5. Lever arm complete 9178
- 6. Pontus bent profile 9535

All steel parts are electro-galvanized as standard.  
 Stainless steel or powder-coated alternatives are also available.

From B-B 1000 the scraper is supplied with dual lever arms.

Carbide, encased in polyurethane.



ART.NO.	B-B	AMOUNT SEGMENT	SCRAPER WIDTH	BEAM LENGTH
9504	400	4	370	1000
9505	500	5	460	1100
9506	650	6	550	1200
9508	800	8	730	1300
9510	1000	10	910	1500
9512	1200	12	1090	1700
9514	1400	14	1270	1900