

HAMPUS secondary-scraper

9200

HAMPUS SECONDARY-SCRAPER, CARBIDE

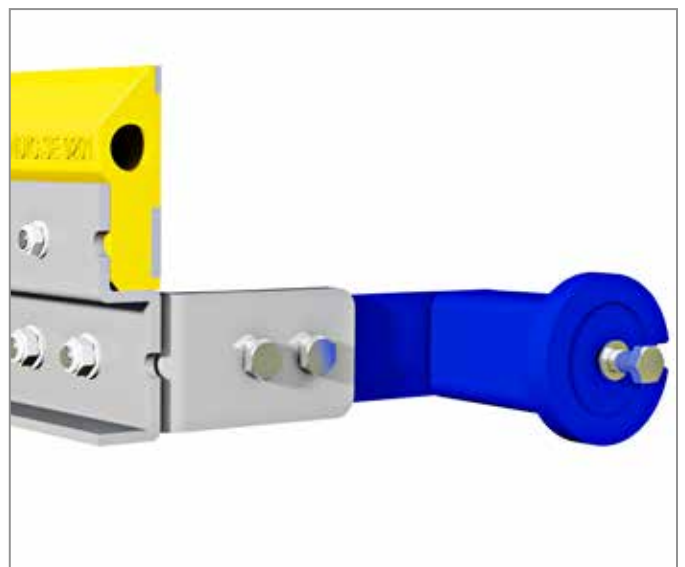
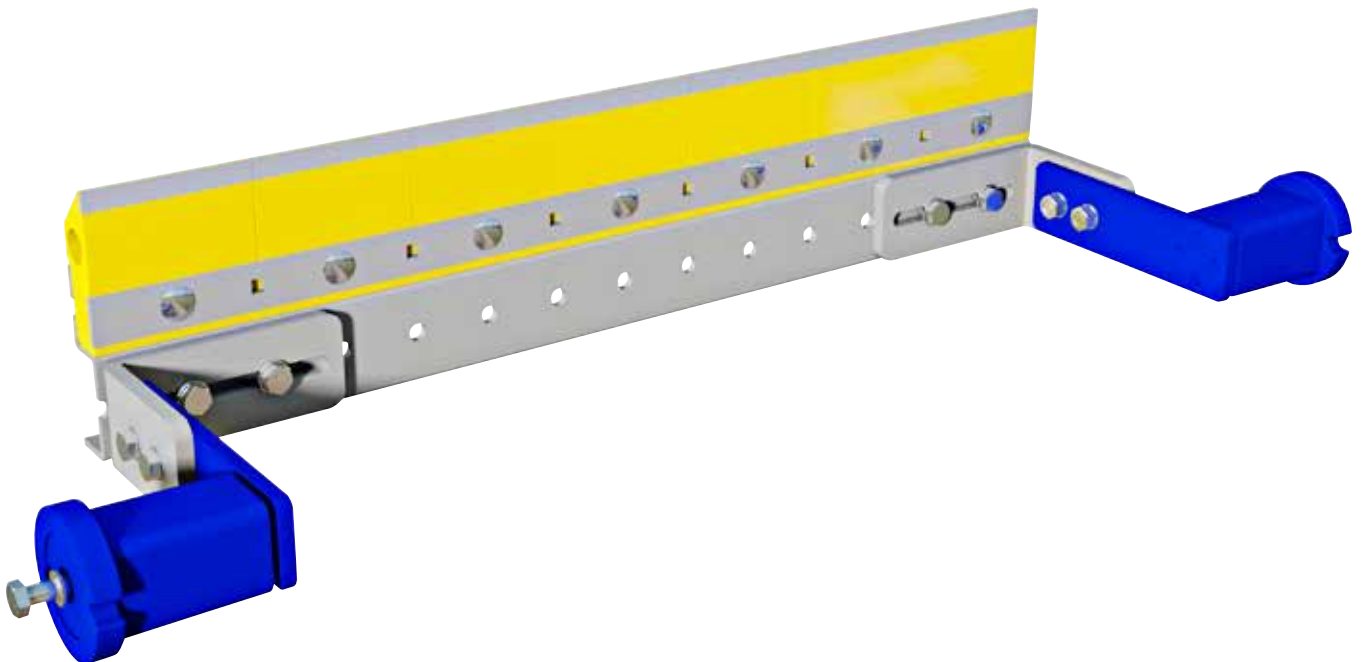
– Very popular belt scraper.

Hampus secondary scraper 9200 with scraper segments made of polyurethane with embedded carbide. Each segment is individually sprung against the belt, and is therefore more flexible on the belt, providing a highly effective cleaning effect.

The pressure of the carbide blade against the belt comes from two pre-tensioned torsion springs.

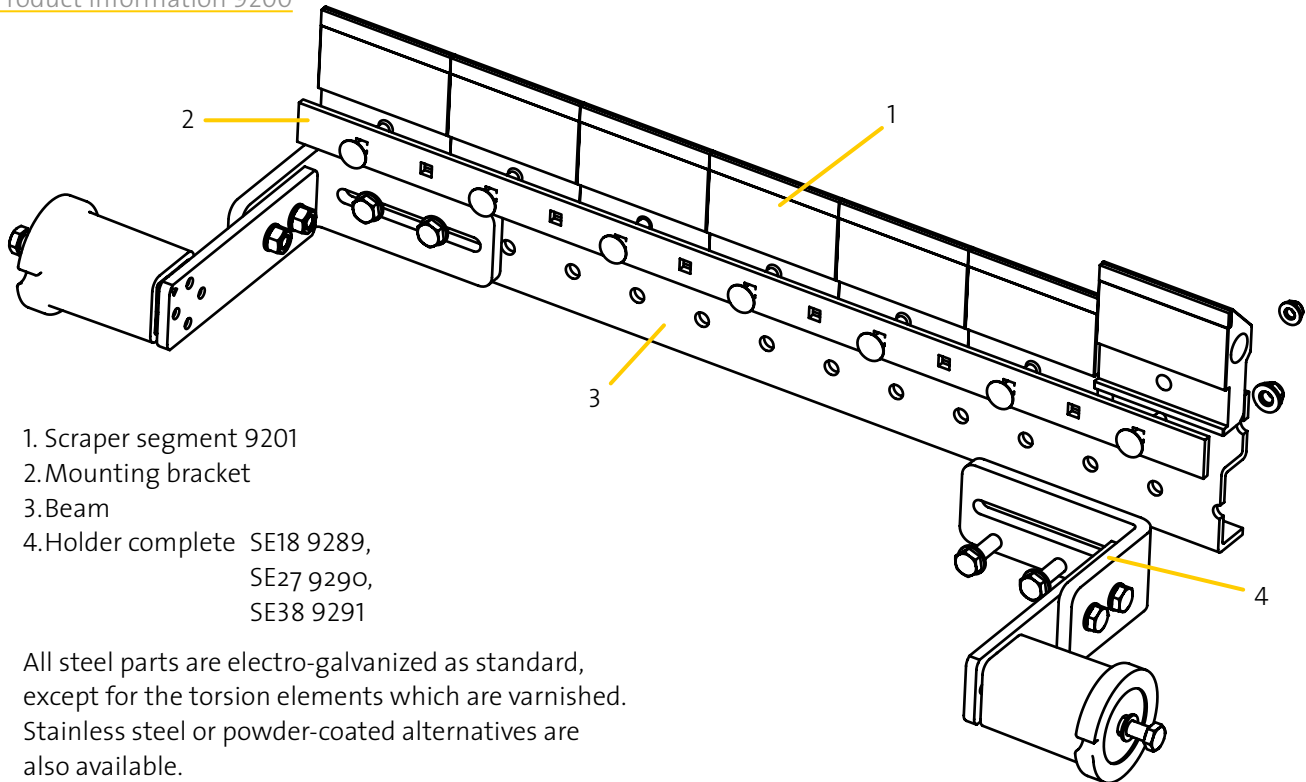
The installation dimensions of the scraper can be steplessly adjusted in the holders.

The secondary scraper is placed under the drive pulley.



In addition to the standard model which is 95 mm high, we also offer lower segments for a more compact installation.

Product information 9200



- 1. Scraper segment 9201
- 2. Mounting bracket
- 3. Beam
- 4. Holder complete SE18 9289,
SE27 9290,
SE38 9291

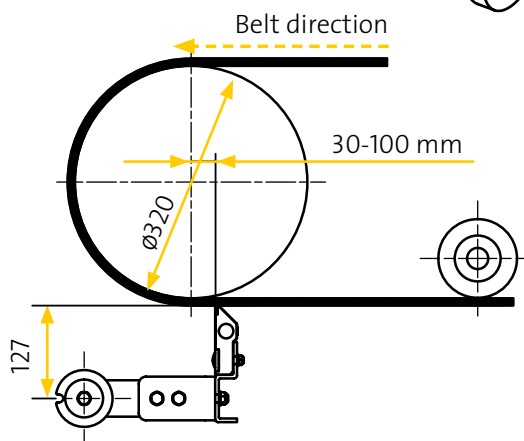
All steel parts are electro-galvanized as standard, except for the torsion elements which are varnished. Stainless steel or powder-coated alternatives are also available.

Compact scraper blade 70 mm as a complement instead of as standard.

SCRAPER BLADE

- Art.no. 9201 H=95
- Art.no. 9202 H=70

Carbide, encased in polyurethane.



ART.NO.	B-B	AMOUNT SEGMENT	SCRAPER WIDTH	INSTALLATION DIMENSIONS
9204	400	4	400	482-582
9205	500	5	500	582-682
9206	650	6	600	682-782
9208	800	7	700	840-940
9210	1000	9	900	1040-1140
9212	1200	11	1100	1240-1340
9214	1400	13	1300	1440-1540
9216	1600	15	1500	1700-1800
9218	1800	17	1700	1900-2000
9220	2000	19	1900	2100-2200