

PU PLOUGH

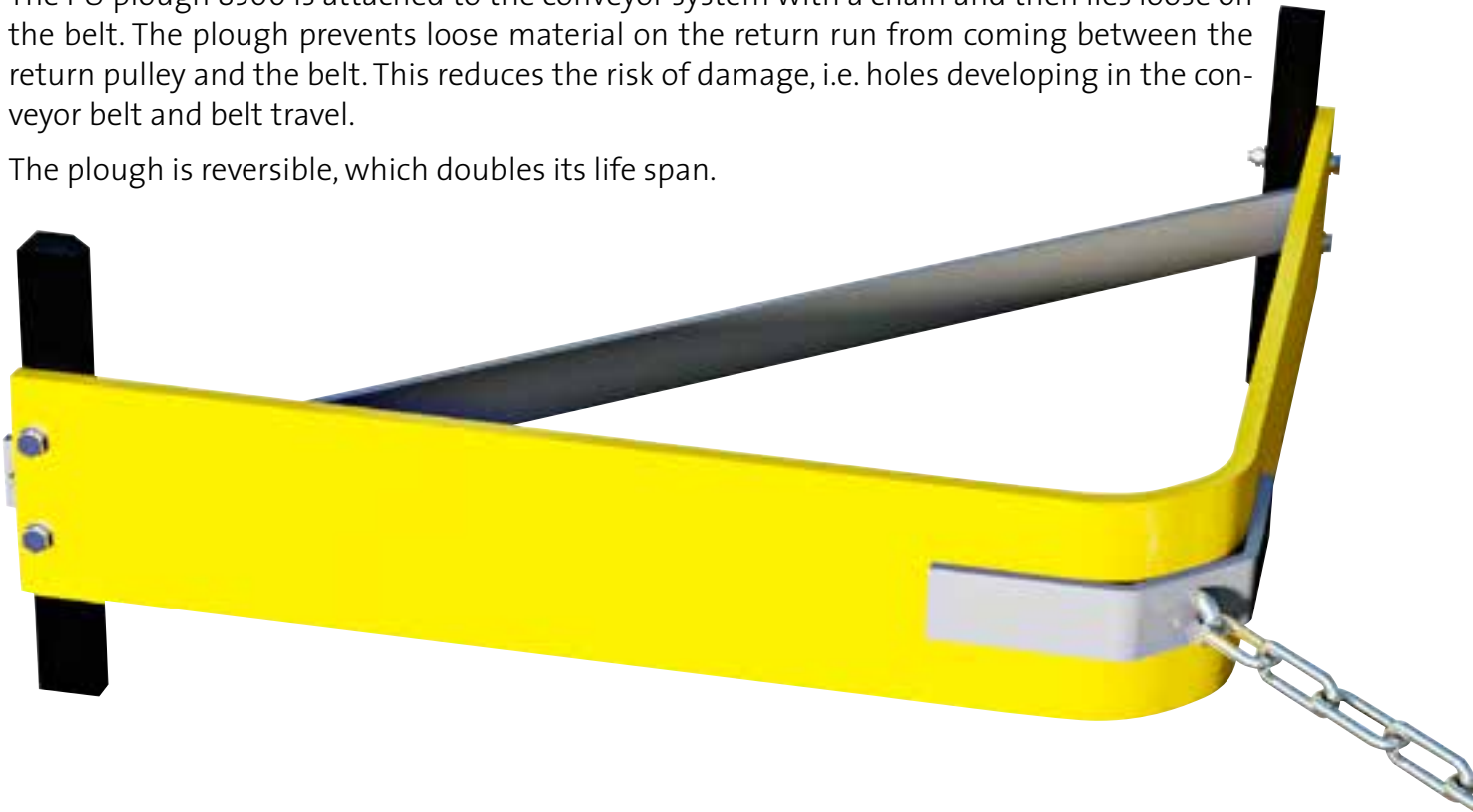
8500

PU PLOUGH

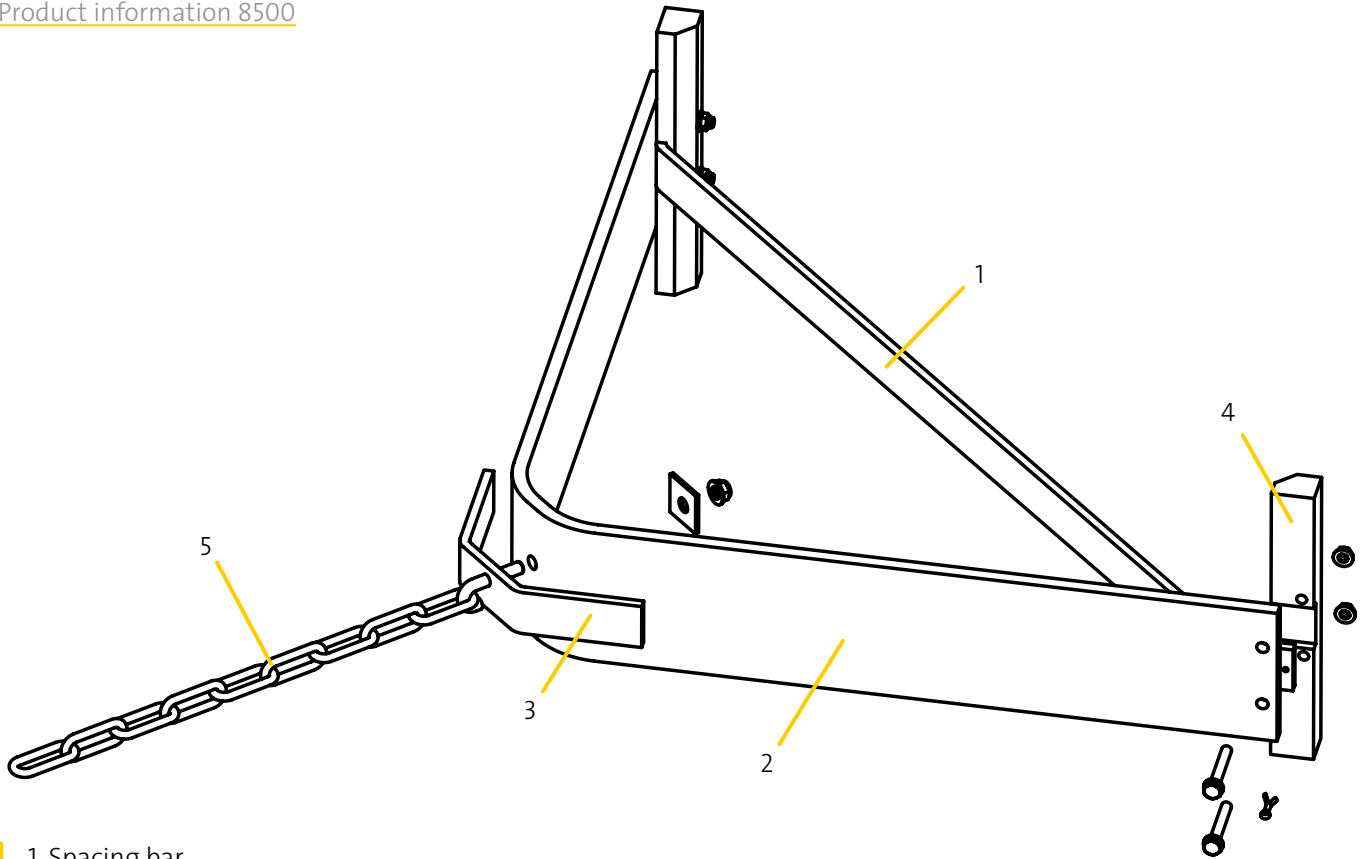
– Easy to fit, reversible plough.

The PU plough 8500 is attached to the conveyor system with a chain and then lies loose on the belt. The plough prevents loose material on the return run from coming between the return pulley and the belt. This reduces the risk of damage, i.e. holes developing in the conveyor belt and belt travel.

The plough is reversible, which doubles its life span.

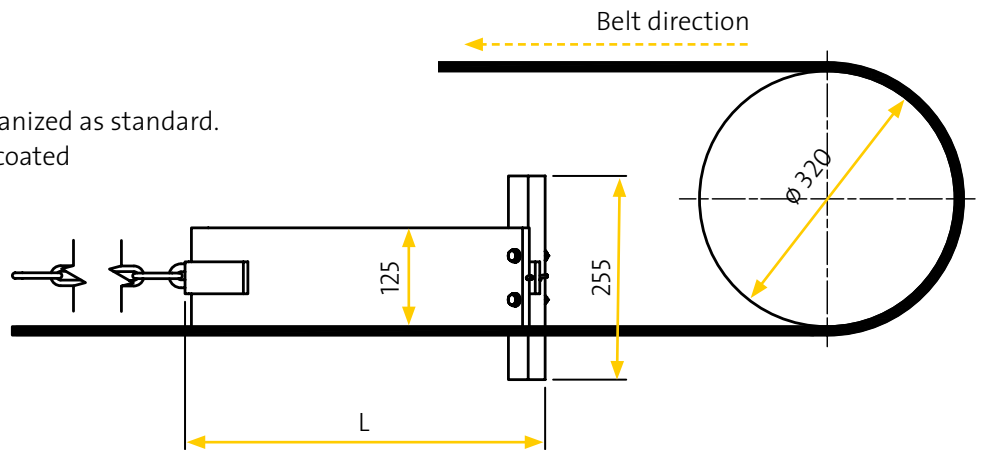


Product information 8500



- 1. Spacing bar
- 2. Plough list, polyurethane
- 3. Bracket 8580
- 4. Side guide 8581
- 5. Chain 8582

All steel parts are electro-galvanized as standard.
A stainless steel or a powder-coated alternative is available.



ART.NO.	B-B	L	ART. NO. SPARE PARTS LIST
8504	400	280	8524
8505	500	330	8525
8506	650	390	8526
8508	800	450	8528
8510	1000	540	8530
8512	1200	640	8532
8514	1400	740	8534