

# HAMPUS SCRAPER BOARD

# 9300

## HAMPUS SCRAPER BOARD

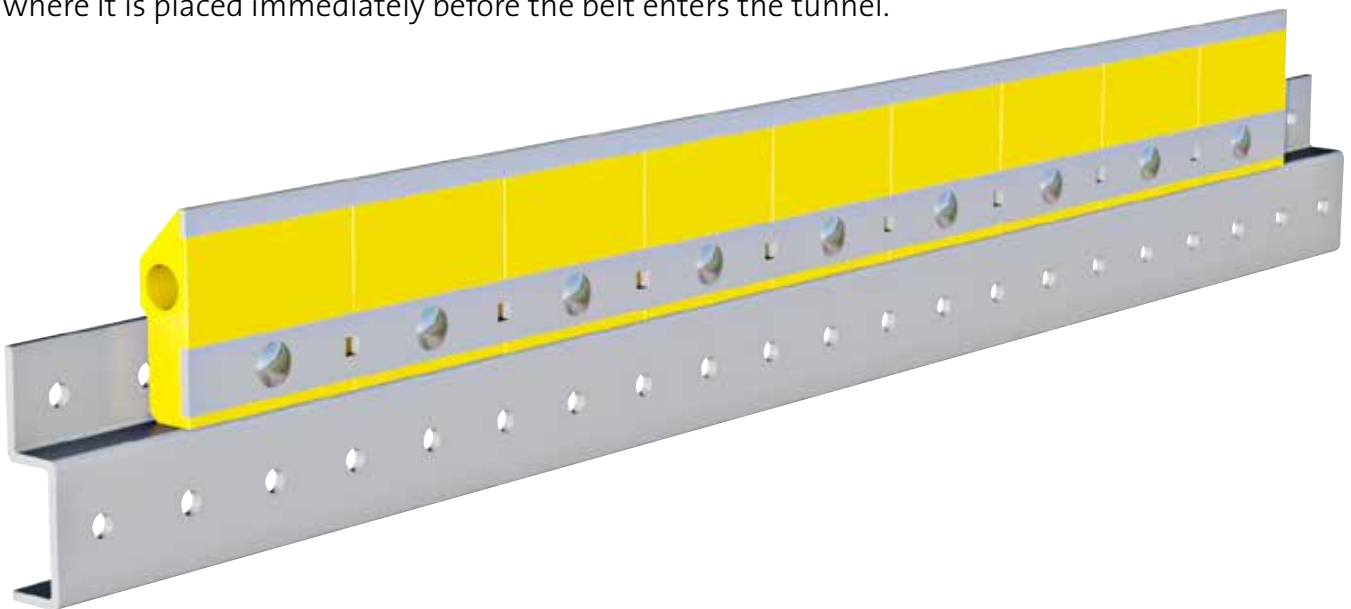
### – Scraper board with sprung scraper segment.

Hampus scraper board 9300 with scraper segments made of polyurethane with embedded carbide. Each segment is individually sprung against the belt, and is therefore more flexible on the belt providing a very effective cleaning effect.

The board is normally positioned on the return run of the conveyor belt as a replacement for a return roller.

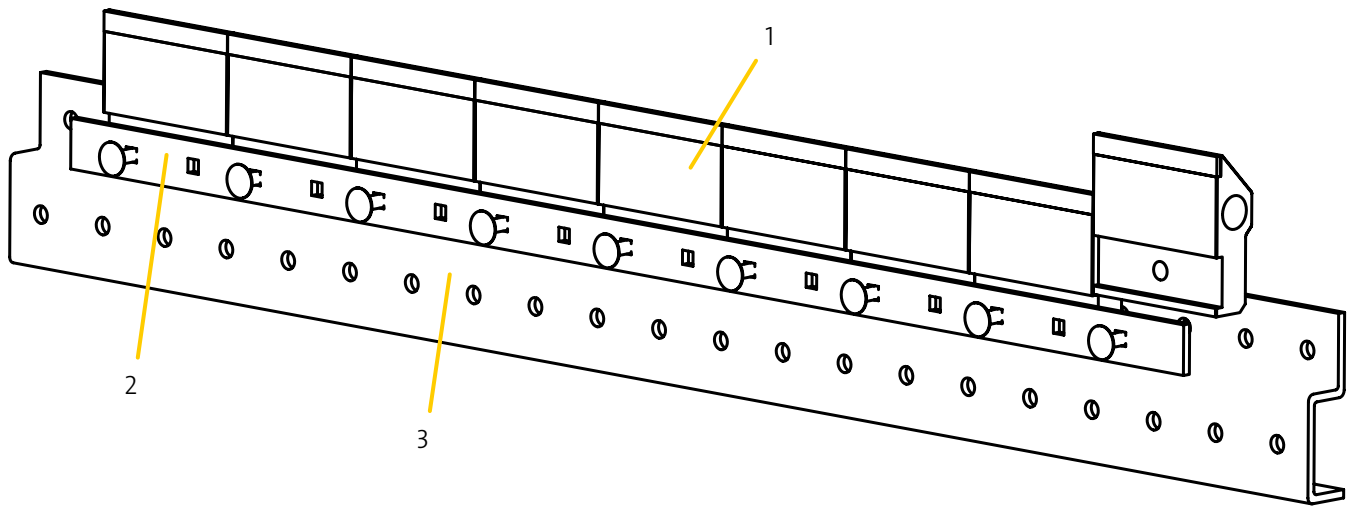
#### USED ON TUNNEL BELTS

A favoured position of the Hampus board is on a tunnel belt, where it is placed immediately before the belt enters the tunnel.



As well as the standard 95 mm high version, there are also lower segments for a more compact installation.

Product information 9300



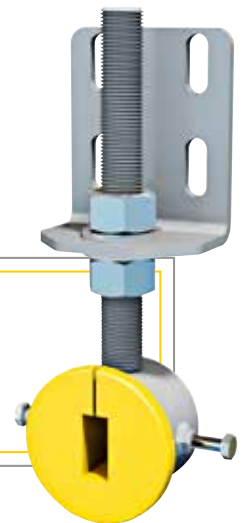
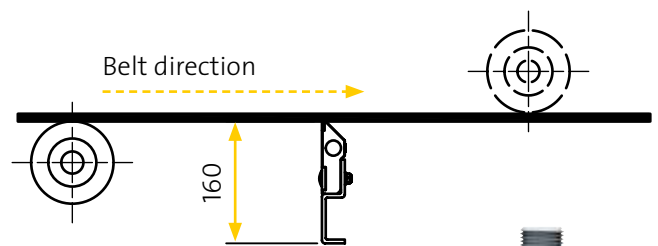
- 1. Scraper segment 9201  
Scraper segment 9202, compact
- 2. Mounting bracket
- 3. Beam

All steel parts are electro-galvanized as standard. Stainless steel or powder-coated alternatives are also available.

Compact scraper blade 70 mm as complement instead of the standard blade.

**SCRAPER BLADE**

- Art.no. 9201 H=95
- Art.no. 9202 H=70



Vendig supplies Holder PL-1 adjustable, (9380) 1 pair and flat bar (8126) 15x35.

ART.NO.	B-B	AMOUNT SEGMENT	SCRAPER WIDTH	BEAM LENGTH
9304	400	4	400	700
9305	500	5	500	800
9306	650	7	700	1000
9308	800	9	900	1200
9310	1000	11	1100	1400
9312	1200	13	1300	1600
9314	1400	15	1500	1800
9316	1600	17	1700	2000
9318	1800	19	1900	2200