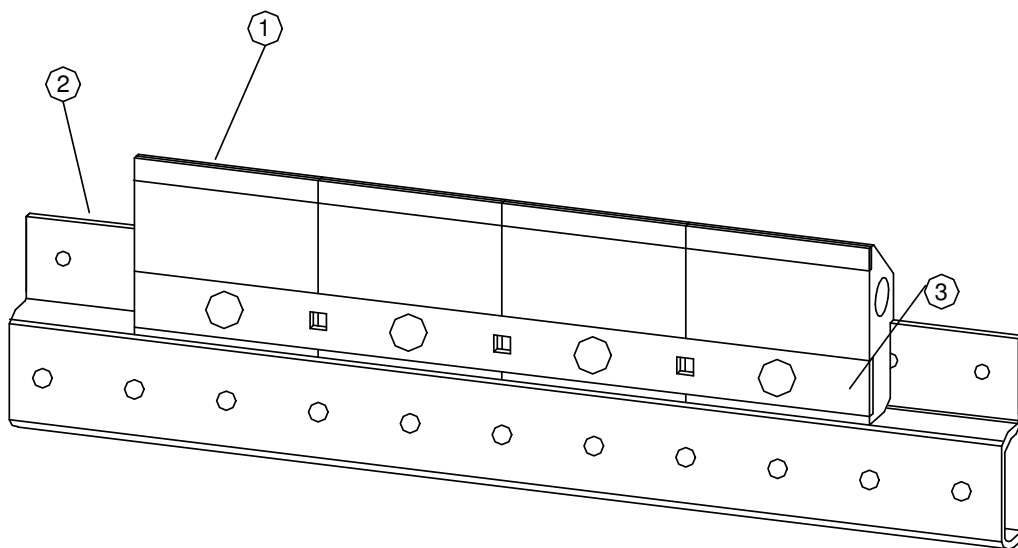


FITTING THE HAMPUS SCRAPER BOARD 9300



- | | |
|-------------------|----------|
| 1. Hampus segment | art 9201 |
| 2. Beam | art 9275 |
| 3. Flat iron bar | art 9431 |

GENERAL INFORMATION

The Hampus 9300 is a scraper board with a tungsten carbide blade encapsuled in polyurethane. The scraper is fitted to the underside of the return run, usually replacing a return roller.

IMPORTANT

In order to achieve the best scraping results, the following conditions must be met:

The conveyor belt must be free of damage.

The scraper must not be fitted to reversible conveyors.

The scraper must not be fitted to chevron belts or belts with mechanical joints.

Max. belt speed: 2.3 m/s

Max. temperature: + 50°C in wet environments

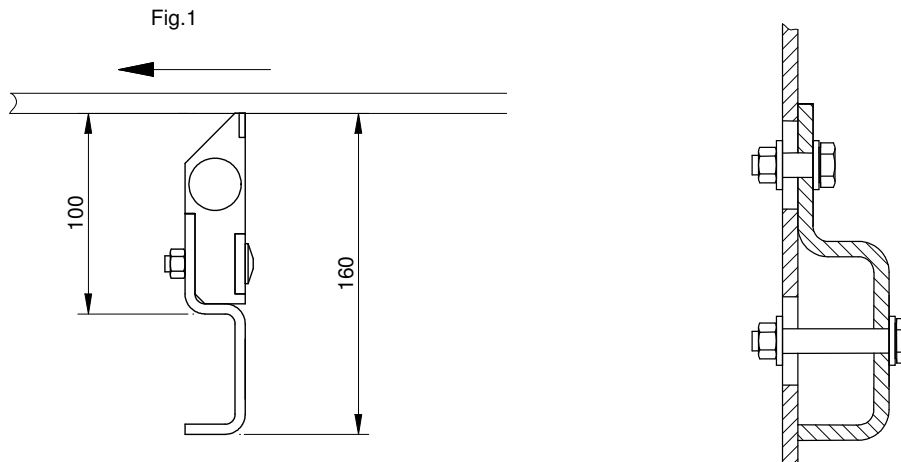
Max. temperature: + 85°C in dry environments (ambient temperature + frictional heat)

CAUTION

Always turn off the belt conveyor before installing or carrying out maintenance on the scraper. Make sure that the belt cannot start while this work is in progress.

FITTING

1.	The Hampus 9300 is placed on the underside of the return run as shown in fig. 1. The scraper is usually fitted to replace a return roller.
2.	Fix the beam to the frame of the conveyor using robust attachments.
3.	Make the attachment so that the beam can be adjusted in the vertical direction.
4.	In order to avoid vibrations in the belt scraper, we recommend that the attachment be made using two bolts as in fig. 2.



MAINTENANCE

Inspect and clean the scraper regularly– we suggest twice a month. When 1 mm of the hard metal remains, change all the segments (1). Change the segments by undoing the M8 nuts. Bolt on the new segments. Vibrations may arise when the belt is run without material or when the belt has a coating of resin. In the long term, vibrations may result in cracking of the beam. These must therefore be eliminated. Try therefore:

-changing the angle of the blades against the belt a few degrees.
-changing the pressure of the blades against the belt.
-making a more robust attachment to the frame.
-increasing the mass of the beam (2) by, for example, fitting a small lever arm to the beam (2).

WARRANTY

Damage to the scraper caused by incorrect handling or in connection with incorrect installation cannot be considered to be covered by warranty if these instructions have not been followed. We therefore accept no claims for any consequential damage or loss.