

MAXIMUS pre-scraper

8900

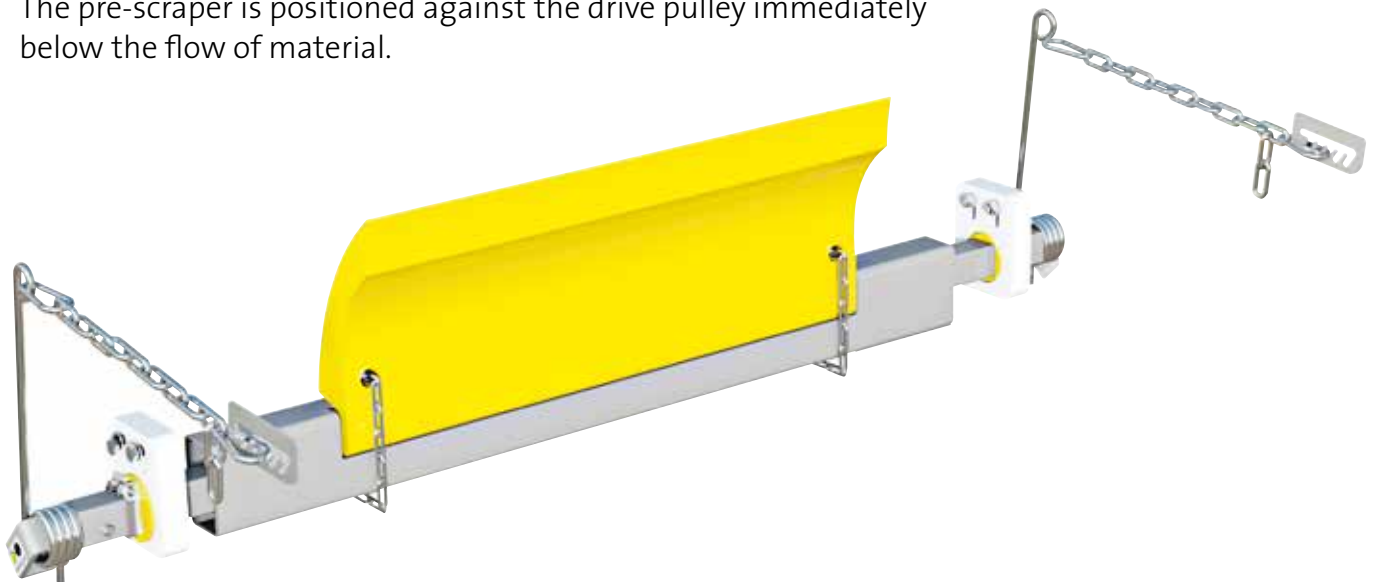
MAXIMUS PRE-SCRAPER WITH POLYURETHANE BLADE

– Our strongest scraper.

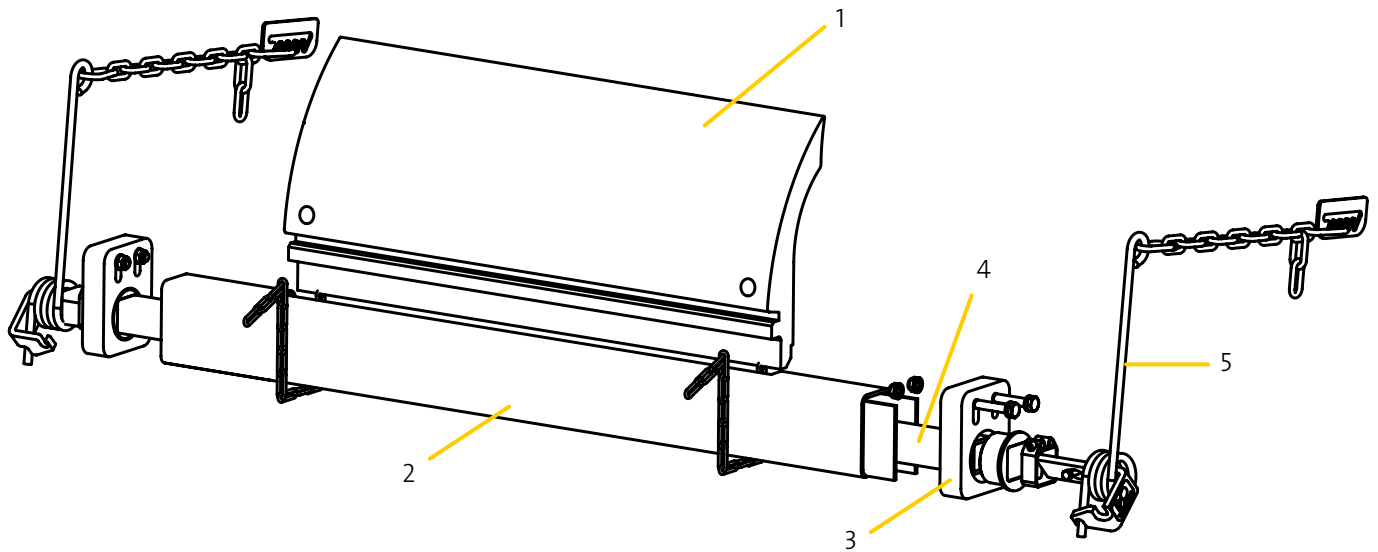
The Maximus pre-scraper 8900 is for pulleys \varnothing 400 - \varnothing 1000 mm and is a robust pre-scraper which effectively cleans the conveyor belt in a difficult operating environment. The scraper blade consists of a spring-loaded polyurethane blade which shapes itself to the shape of the conveyor belt and the pulley. Blade replacement is very easy and is carried out entirely without tools.

Our unique spring lever ensures that the correct pressure is maintained against the belt which simplifies service work and reduces maintenance.

The pre-scraper is positioned against the drive pulley immediately below the flow of material.



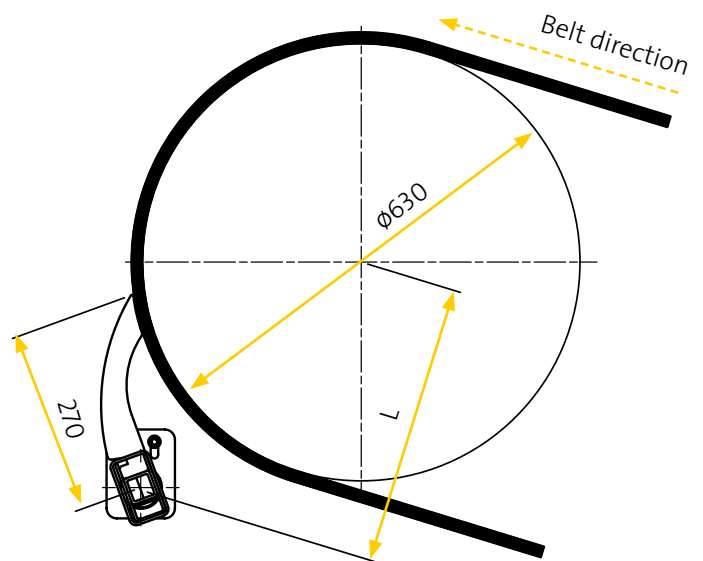
Product information 8900



- 1. Maximus PU scraper blade
- 2. Beam
- 3. Holder complete 8388 HD
- 4. Beam extension 8960
- 5. Lever arm complete 9178

All steel parts are electro-galvanized as standard. Stainless steel or powder-coated alternatives are also available.

All scraper models are supplied with dual lever arms.



ART.NO.	B-B	SCRAPER WIDTH	BEAM LENGTH	ART.NO. SPARES LIST
8906	650	545	1100	8926
8908	800	695	1300	8928
8910	1000	895	1500	8930
8912	1200	1095	1700	8930
8914	1400	1295	1900	8934