

MINISCRAPER pre-scraper

8700

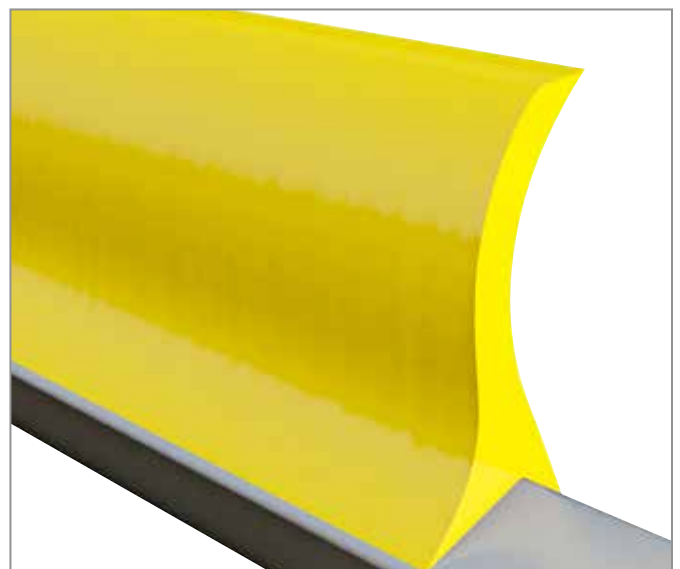
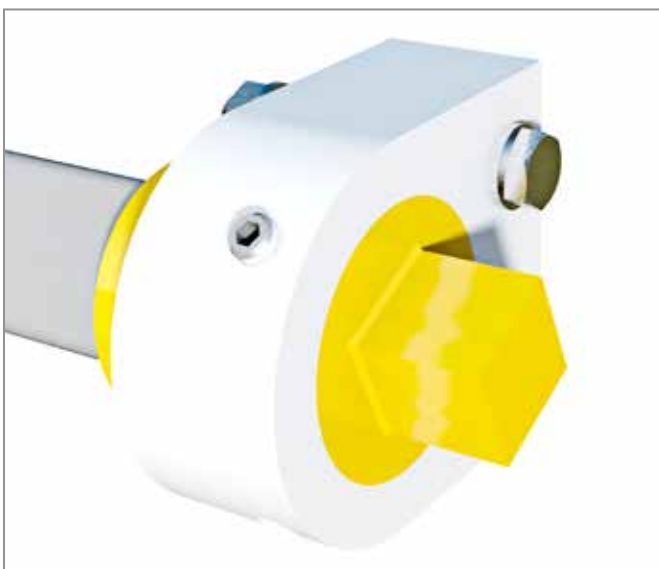
MINISCRAPER

– Effective cleaning for lighter materials.

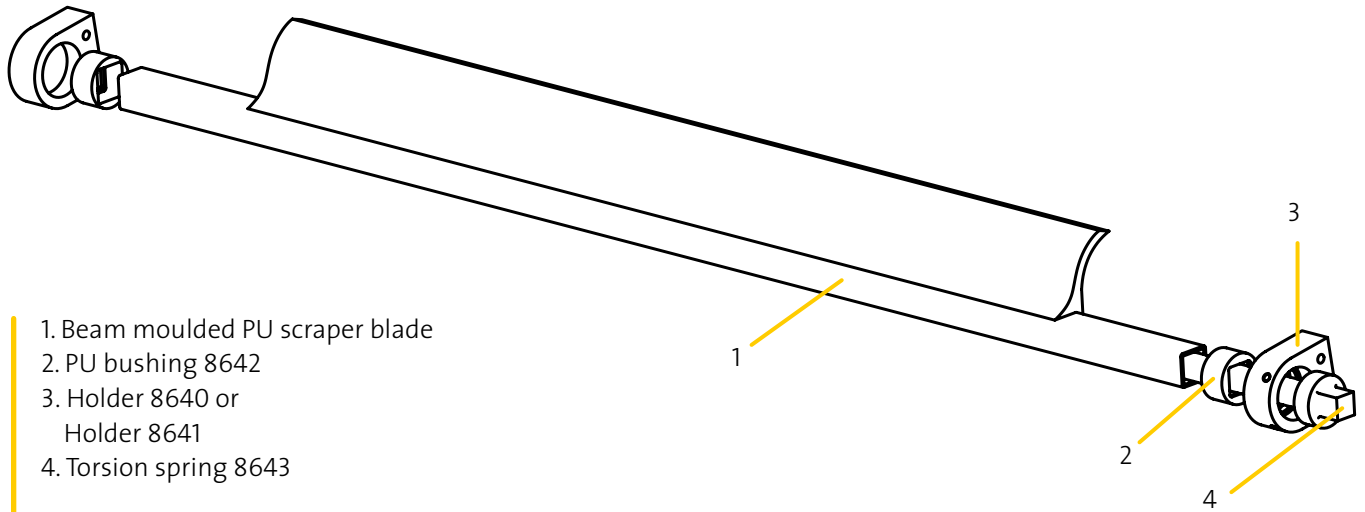
The Miniscraper 8700 is a small belt cleaner that is ideally suited for PVC belts in for example, the recycling industry. The scraper is for pulleys from $\varnothing 100$ - $\varnothing 200$ mm.

Our unique spring lever ensures that the correct pressure is maintained against the belt which simplifies service work and reduces maintenance. The pressure on the belt is steplessly regulated with a torsion spring fitted in the square tubing.

The pre-scraper is positioned against the drive pulley immediately below the flow of material.



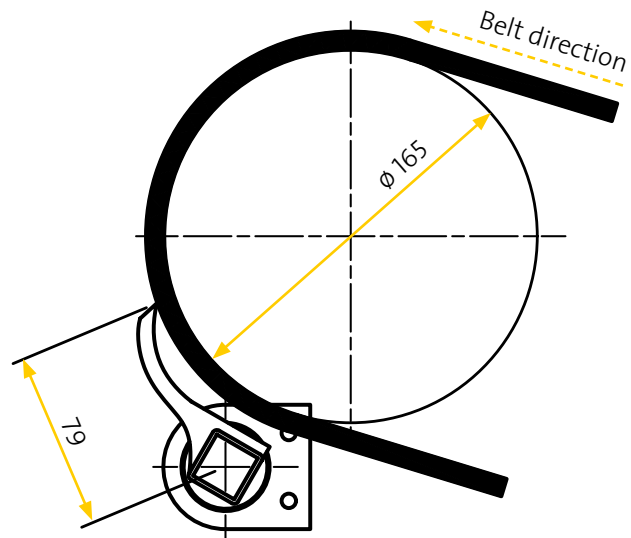
Product information 8700



- 1. Beam moulded PU scraper blade
- 2. PU bushing 8642
- 3. Holder 8640 or Holder 8641
- 4. Torsion spring 8643

All steel parts are stainless steel.

From B-B 600 the scraper is supplied with dual torsion springs.



ART.NO.	B-B	SCRAPER WIDTH	BEAM LENGTH
8703	300	290	540
8704	400	390	640
8705	500	490	740
8706	600	590	840
8707	700	690	940
8708	800	790	1040
8709	900	890	1140
8710	1000	990	1240
8711	1100	1090	1340
8712	1200	1190	1440