

HAMPUS HEAVY pre-scraper

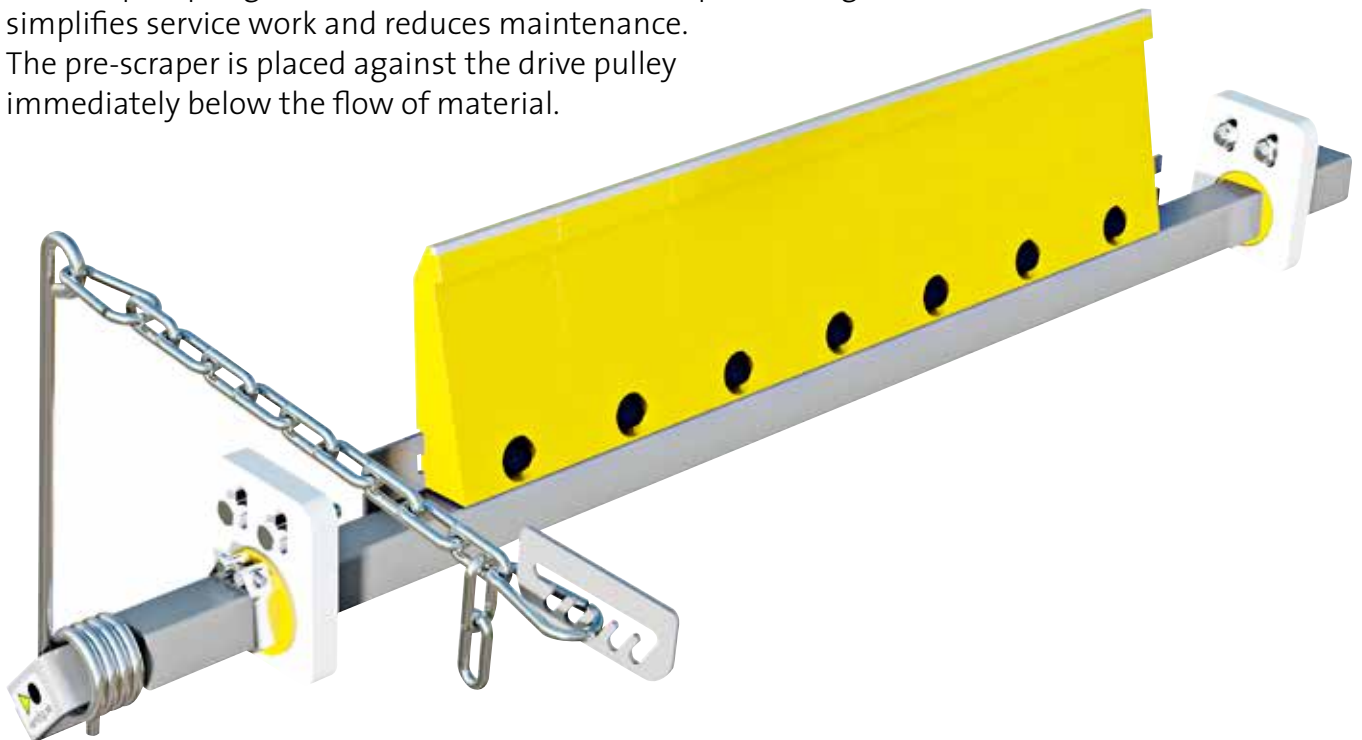
9130

HAMPUS HEAVY PRE-SCRAPER WITH CARBIDE **– With a powerful scraper segment for heavy industry.**

The Hampus pre-scraper 9130 has the same basic design as the standard model – the Hampus pre-scraper 9100, with a more powerful scraper segment for heavier applications. The Hampus pre-scraper 9130 is used in the mining industry and other demanding work environments.

Our unique spring lever arm ensures that correct pressure against the belt is maintained, which simplifies service work and reduces maintenance.

The pre-scraper is placed against the drive pulley immediately below the flow of material.

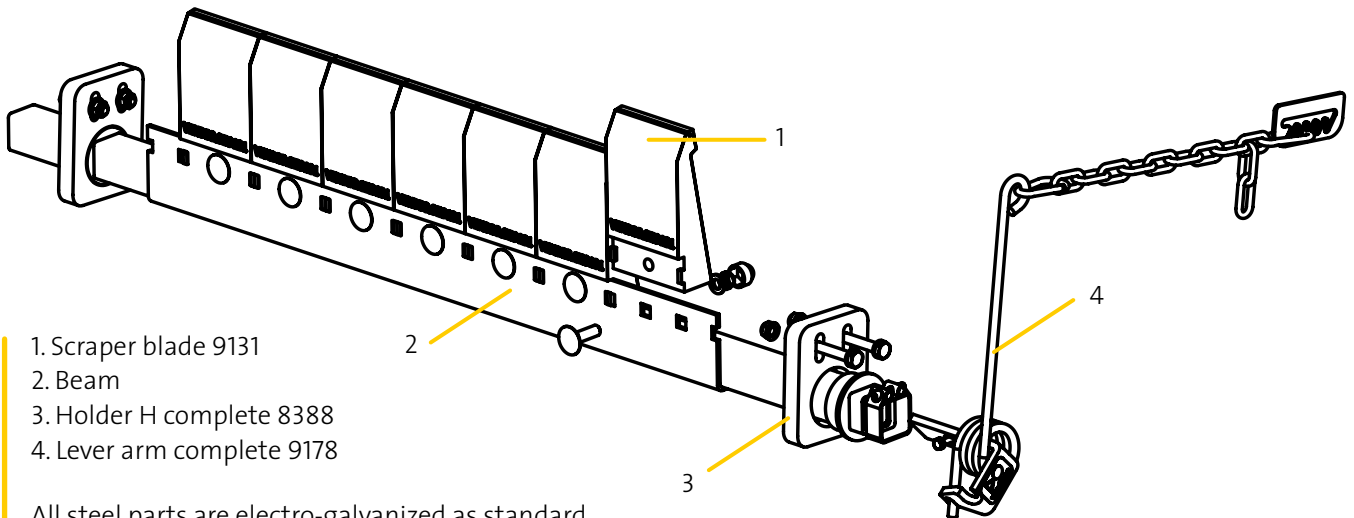


Double segment in two heights. Recommended for problems with belt travel.



In addition to the standard model which is 175 mm high, we also offer lower segments for a more compact installation.

Product information 9130



- 1. Scraper blade 9131
- 2. Beam
- 3. Holder H complete 8388
- 4. Lever arm complete 9178

All steel parts are electro-galvanized as standard.
Stainless steel or powder-coated alternatives are also available.

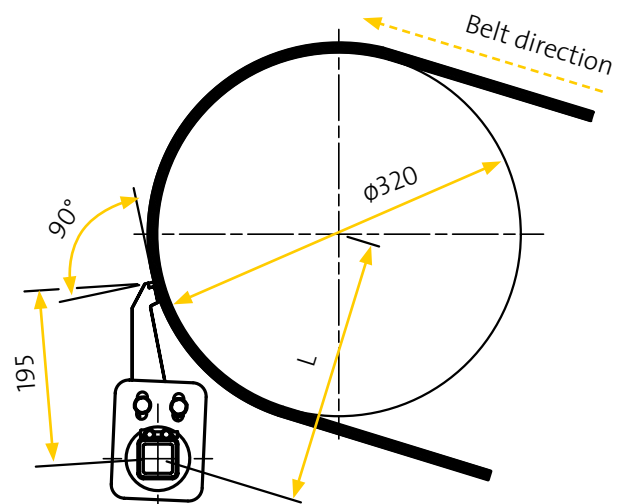
From B-B 1000 the scraper is supplied with dual lever arms.
From B-B 1600 the scraper is supplied with Holder HD.

Compact scraper blade 140 and double segment as a complement instead of standard.

SCRAPER BLADE

- Art.no. 9131 H=175
- Art.no. 9131-140 H=140
- Art.no. 9131-DH H=175, double right
- Art.no. 9131-DV H=175, double left
- Art.no. 9131-140DH H=140, double right
- Art.no. 9131-140-DV H=140, double left

Carbide, encased in polyurethane.



ART.NO.	B-B	AMOUNT SEGMENT	SCRAPER WIDTH	BEAM LENGTH
9134	400	4	400	1100
9135	500	5	500	1200
9136	650	6	600	1300
9138	800	7	700	1500
9140	1000	9	900	1700
9142	1200	11	1100	1900
9144	1400	13	1300	2100
9146	1600	15	1500	2300
9148	1800	17	1700	2500
9150	2000	19	1900	2700