

## **HAMPUS** pre-scraper

# 9100

### **HAMPUS PRE-SCRAPER, CARBIDE**

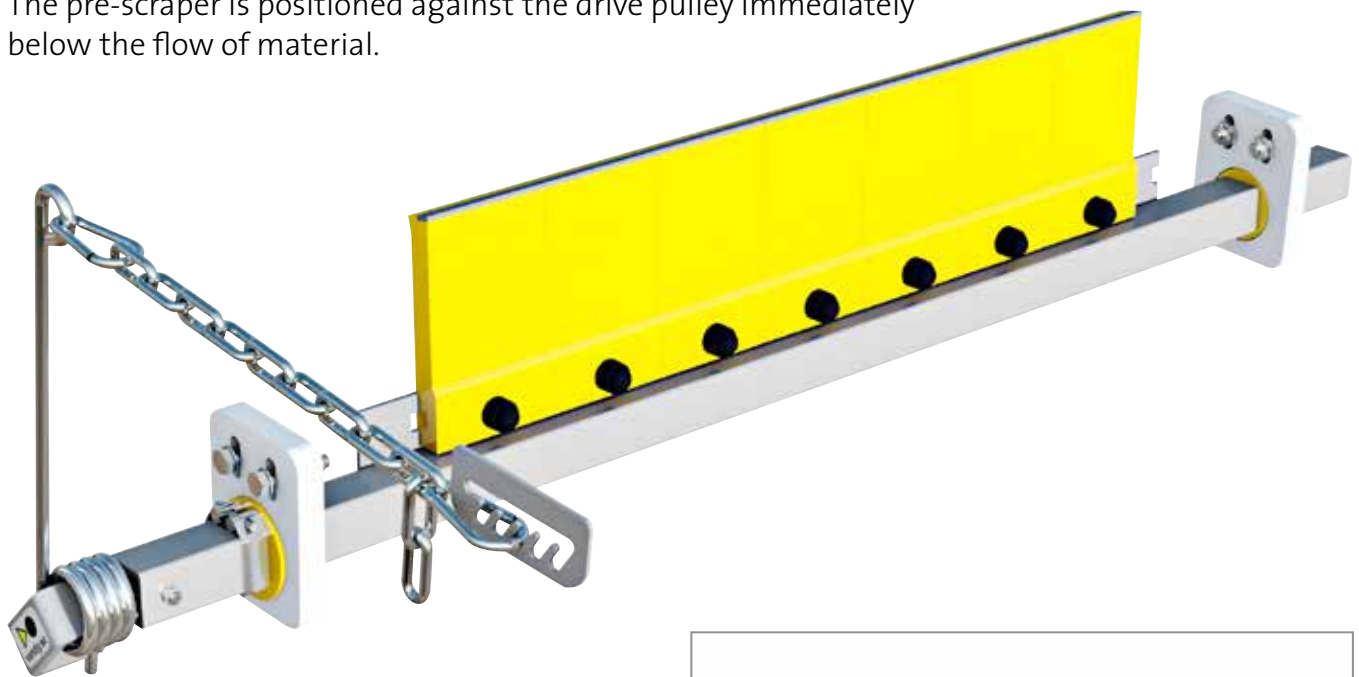
– Our most versatile belt cleaner.

Hampus pre-scraper 9100 is our most versatile belt cleaner which is suitable for most working environments.

It consists of individually sprung scraper segments that can move independently of each other for maximum flexibility providing very effective cleaning. For extreme durability, each segment is made of polyurethane with a carbide tip. Carbide ensures operational reliability and a long service life.

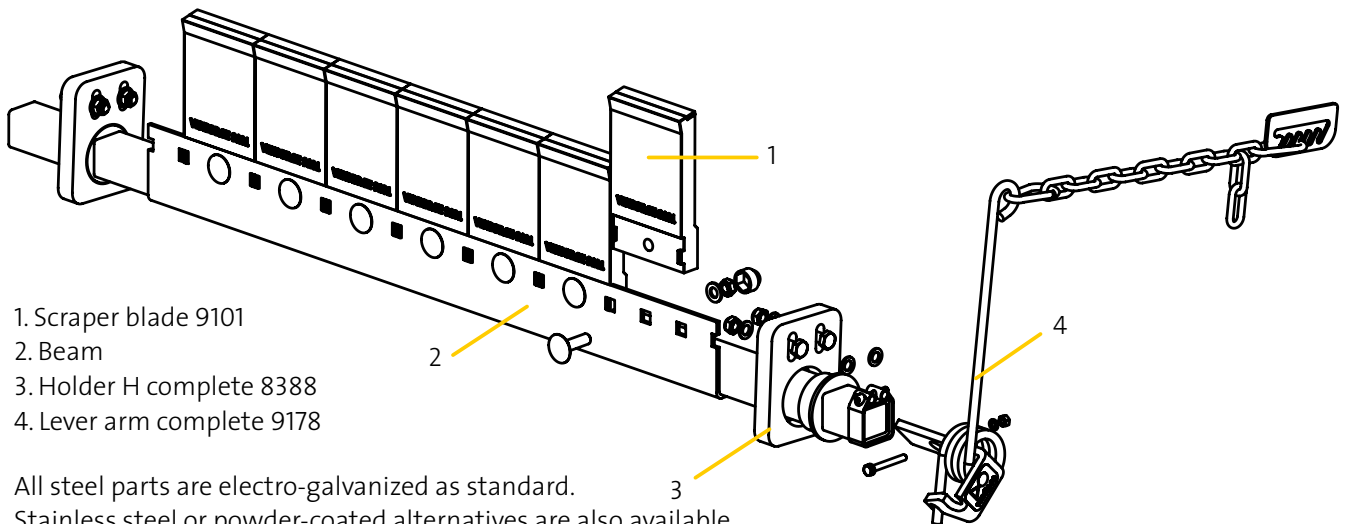
Our unique spring lever ensures that the correct pressure is maintained against the belt which simplifies service work and reduces maintenance.

The pre-scraper is positioned against the drive pulley immediately below the flow of material.



In addition to the standard model which is 175 mm high, we also offer lower segments for a more compact installation.

## Product information 9100



1. Scraper blade 9101
2. Beam
3. Holder H complete 8388
4. Lever arm complete 9178

All steel parts are electro-galvanized as standard.  
Stainless steel or powder-coated alternatives are also available.

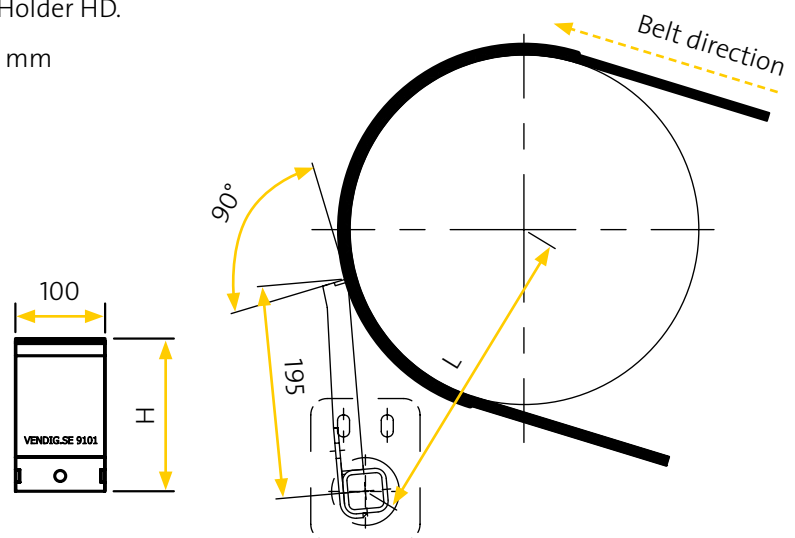
From B-B 1000 the scraper is supplied with dual lever arms.  
From B-B 1600 the scraper is supplied with Holder HD.

Compact scraper blade 140 respectively 100 mm  
as a complement instead of as standard  
which is 175 mm high.

### SCRAPER BLADE

- Art.no. 9101 H =175
- Art.no. 9101-140 H =140
- Art.no. 9101-100 H =100

Carbide, encased in polyurethane.



ART.NO.	B-B	AMOUNT SEGMENT	SCRAPER WIDTH	BEAM LENGTH
9104	400	4	400	1100
9105	500	5	500	1200
9106	650	6	600	1300
9108	800	7	700	1500
9110	1000	9	900	1700
9112	1200	11	1100	1900
9114	1400	13	1300	2100
9116	1600	15	1500	2300
9118	1800	17	1700	2500
9120	2000	19	1900	2700