

HOLDER-PL

9380

HOLDER PL-1

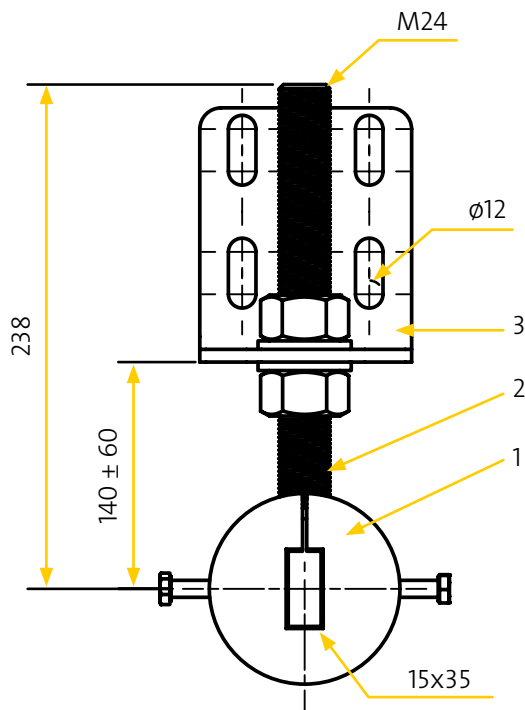
– Universal fixing bracket for band scraper boards.

Robust and easy to mount holder designed for Vendig’s scraper boards.

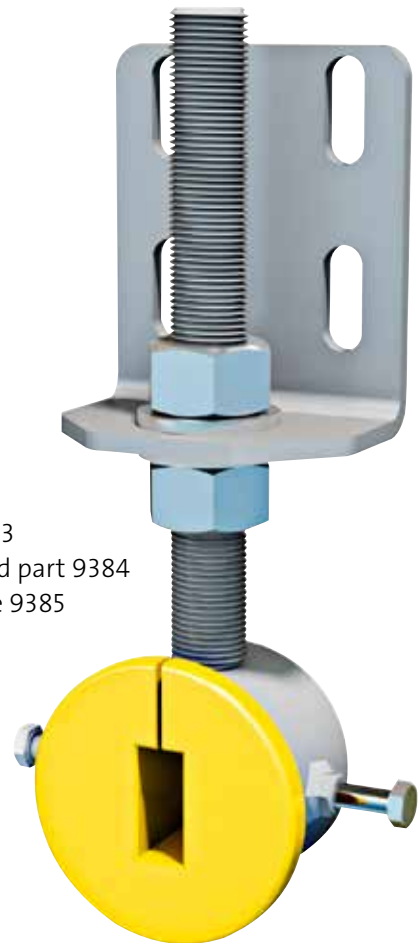
The holder has several adjustment possibilities, it is adjustable in height and the angle can be adjusted against the conveyor belt.

A flat bar passes through the PU bushing 15x35 mm, for Flexus 2 an adapter is needed.

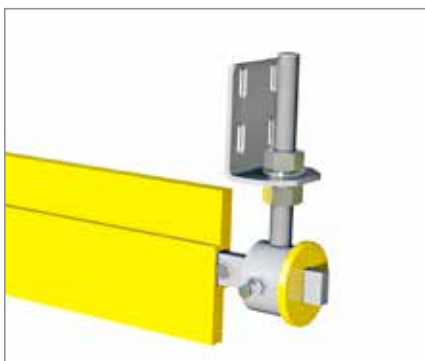
All steel parts are electro-galvanized as standard. Stainless steel or powder-coated alternatives are also available.



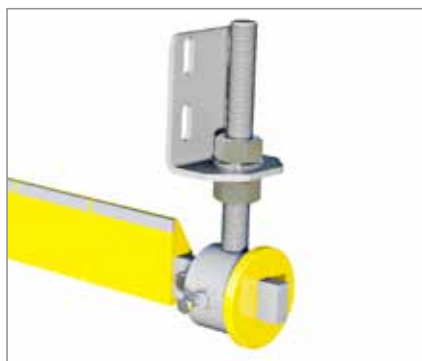
- 1. PU bushing 9383
- 2. Holder threaded part 9384
- 3. Mounting plate 9385



FITS THESE SCRAPER BOARDS:



8100 PU scraper board



8150 HM scraper board



9750 Flexus 2 with adapter