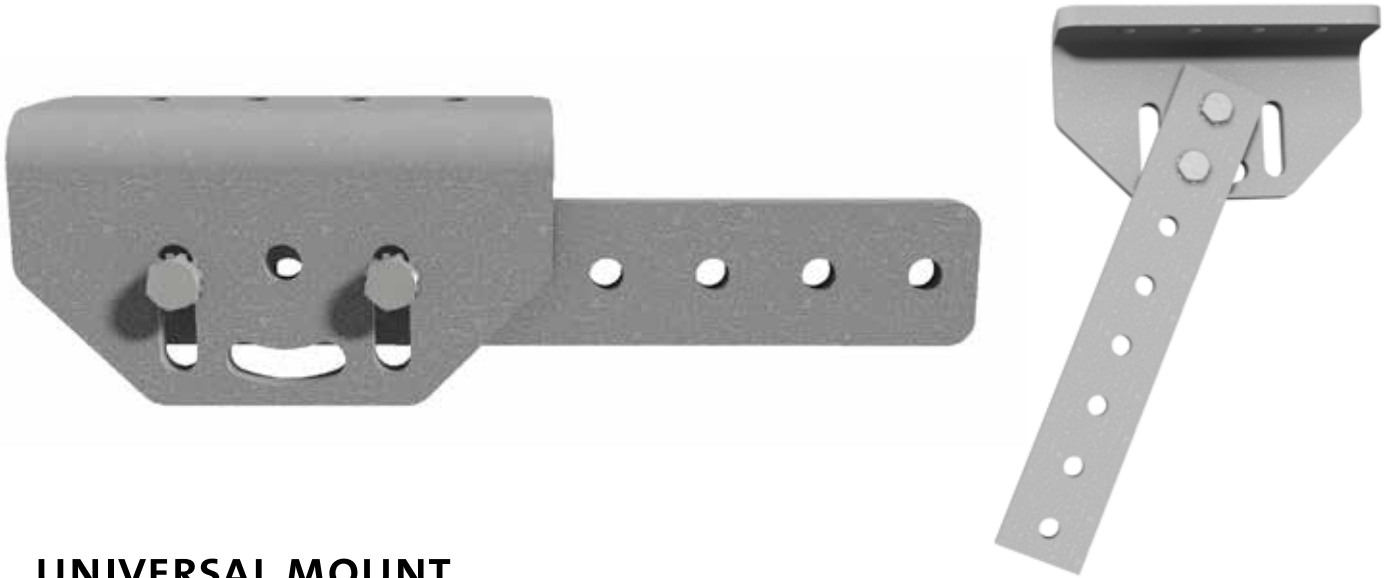


UNIVERSAL MOUNT BRACKET 9390



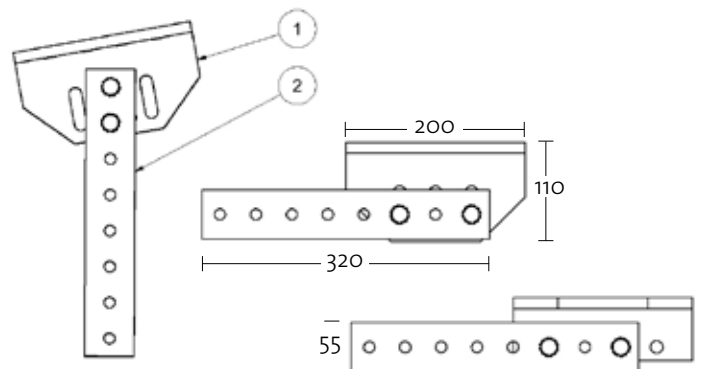
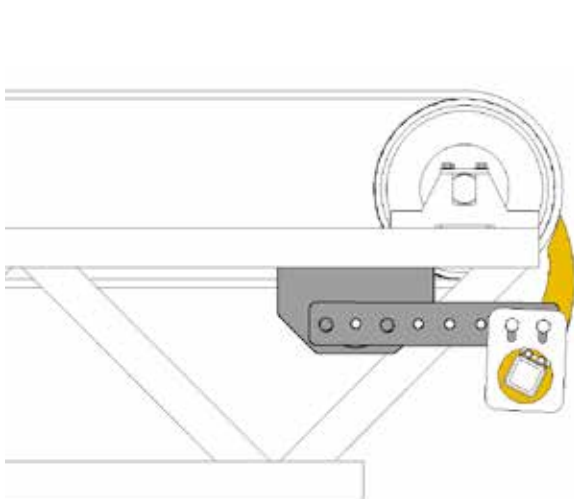
UNIVERSAL MOUNT

-A bracket for assembling Primary Scrapers easily.

The Universal mount is a flexible fastening bracket for assembling the primary scraper to the conveyor. It can be assembled in several different ways and angles to fit most conveyors and facilitate the fitting on site.

The fitting is manufactured from 10mm thick sheet metal and it is galvanized to withstand the environmental wear. All holes and slots are adjusted for M12 screws (Ø12,5) and suited for Vendigs holder H which comes with Vendigs primary scrapers.

The Universal Mount 9390 comes as a pair.



9390

1. 9391 Angle bracket, c-c 40 mm, 200 x 110 x 70mm
2. 9392 Bracket Universal Mount, c-c 40 mm, 320 x 55 x 10mm