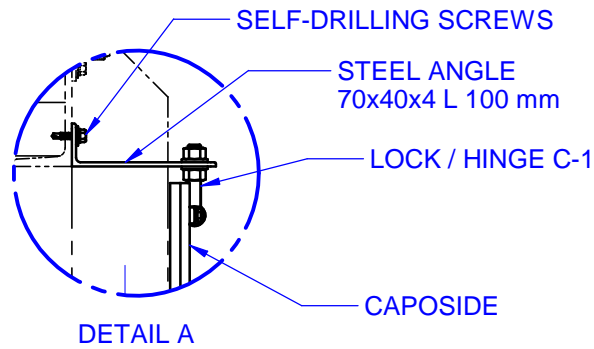
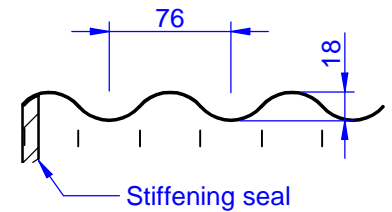


STEEL SQUARE 40x40x3 WELDED OR SCREWED TO THE STRUCTURE IF NECESSARY

LOCK / HINGE C-1



CORRUGATION DETAIL



Sheet thickness 0.6mm and 1.2mm. in edges.



NOT SPECIFIED TOLERANCE

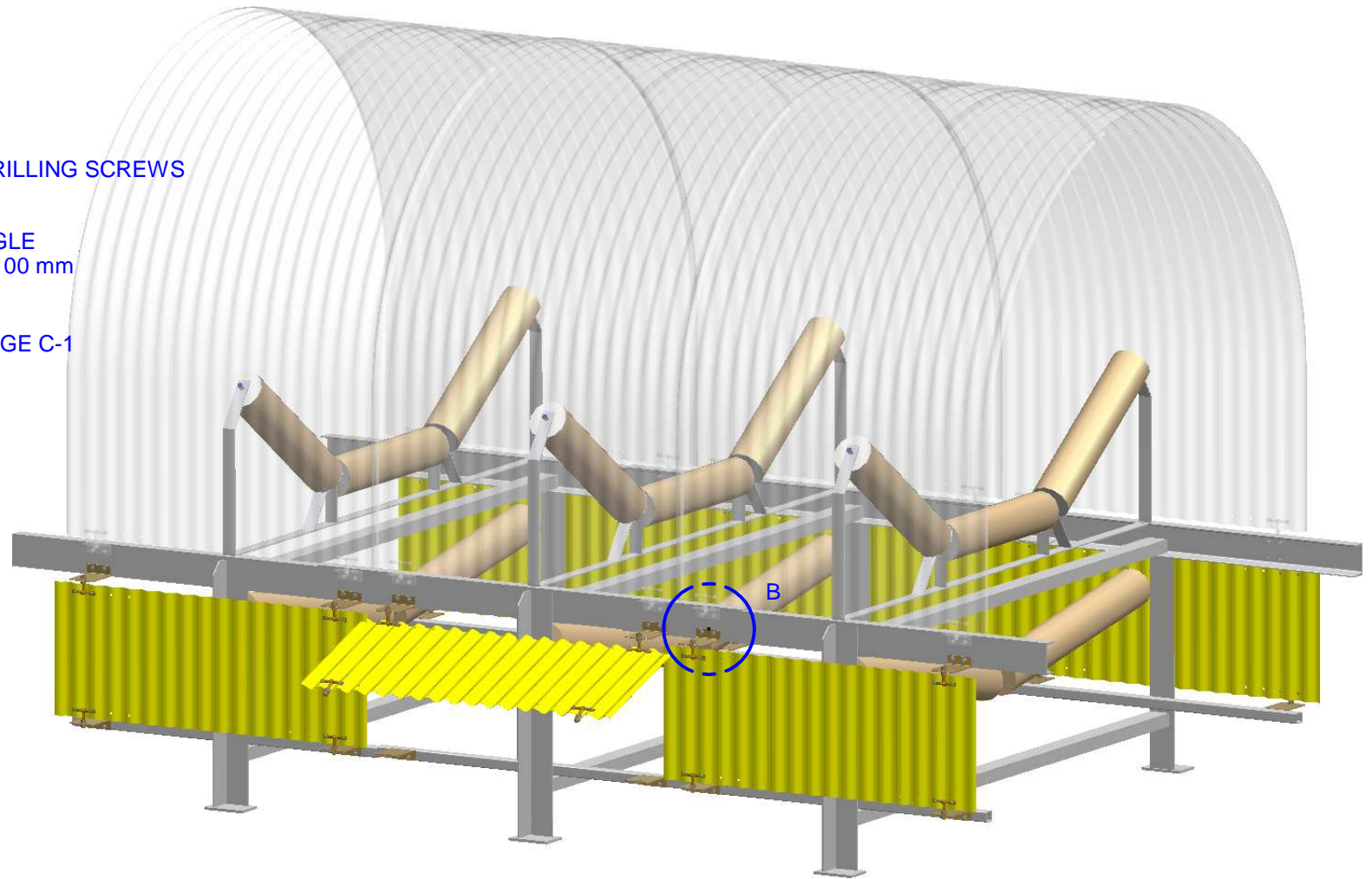
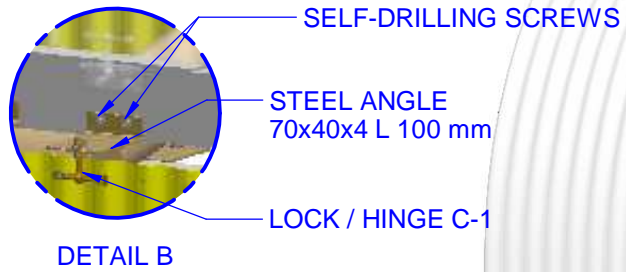
DIMENSIONS		ANGLES	
()	: ±2.00	0°	: ±02' 00"
X.	: ±0.50		
X.0	: ±0.25	0° 0'	: ±00' 30"
X.00	: ±0.08		
X.000	: ±0.02	0° 0' 0"	: ±00' 03"

CAD DRAWING. HANDLING ON CAD SYSTEM ONLY

THIS DRAWING IS OWNED BY CAPOTEX.
COPY OR REPRODUCTION IS FORBIDDEN
WITHOUT PREVIOUS NOTICE

SCALE	DESIGNED	DRAWN	CHECKED	SHEET 1 OF 4	FORMAT
-	ENE-11	.	.	EUR	A3
DATE	SIGNATURE	P.GLEZ	J.SAURA	DRAWING NUMBER	
NAME				CAPOSIDE_01	
CAPOSIDE C-1				CAD FILE	
				CAPOSIDE_01 (ingles).dft	

INSTALLATION EXAMPLE OPTION 1



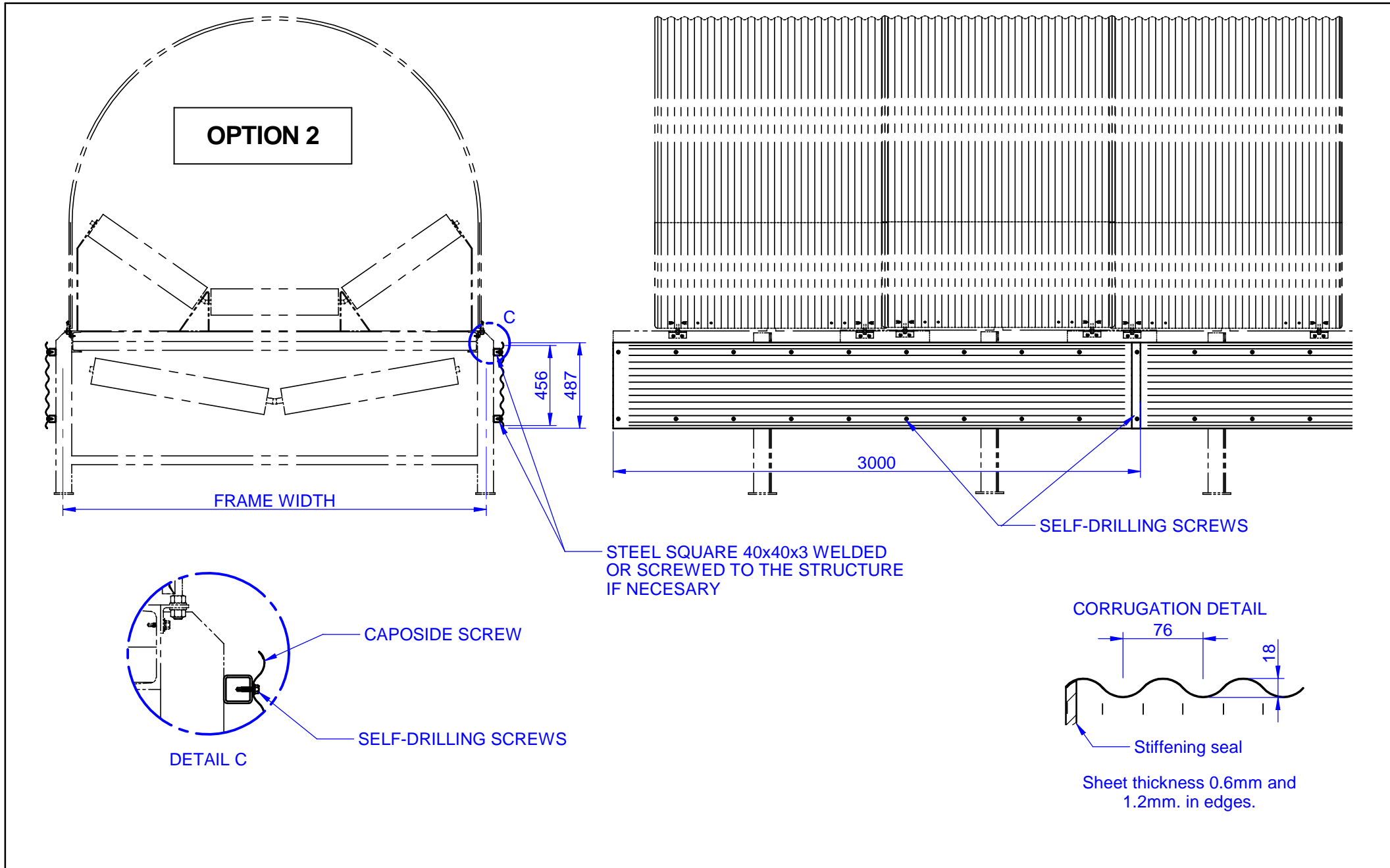
NOT SPECIFIED TOLERANCE

DIMENSIONS		ANGLES	
()	: ±2.00	0°	: ±02' 00"
X.	: ±0.50		
X.0	: ±0.25	0° 0'	: ±00' 30"
X.00	: ±0.08		
X.000	: ±0.02	0° 0' 0"	: ±00' 03"

CAD DRAWING. HANDLING ON CAD SYSTEM ONLY

THIS DRAWING IS OWNED BY CAPOTEX.
COPY OR REPRODUCTION IS FORBIDDEN
WITHOUT PREVIOUS NOTICE

SCALE	DESIGNED	DRAWN	CHECKED	SHEET 2 OF 4	FORMAT
-	ENE-11	.	.	NAME	A3
	P.GLEZ	.	J.SAURA	EUR	
NAME	CAPOSIDE C-1			DRAWING NUMBER	CAPOSIDE_01
				CAD FILE	CAPOSIDE_01 (ingles).dft



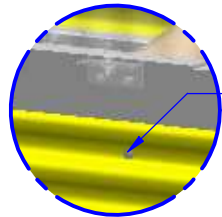
NOT SPECIFIED TOLERANCE			
DIMENSIONS		ANGLES	
()	: ±2.00	0°	: ±02' 00"
X.	: ±0.50		
X.0	: ±0.25	0° 0'	: ±00' 30"
X.00	: ±0.08		
X.000	: ±0.02	0° 0' 0"	: ±00' 03"

CAD DRAWING. HANDLING ON CAD SYSTEM ONLY

THIS DRAWING IS OWNED BY **CAPOTEX**.
COPY OR REPRODUCTION IS FORBIDDEN
WITHOUT PREVIOUS NOTICE

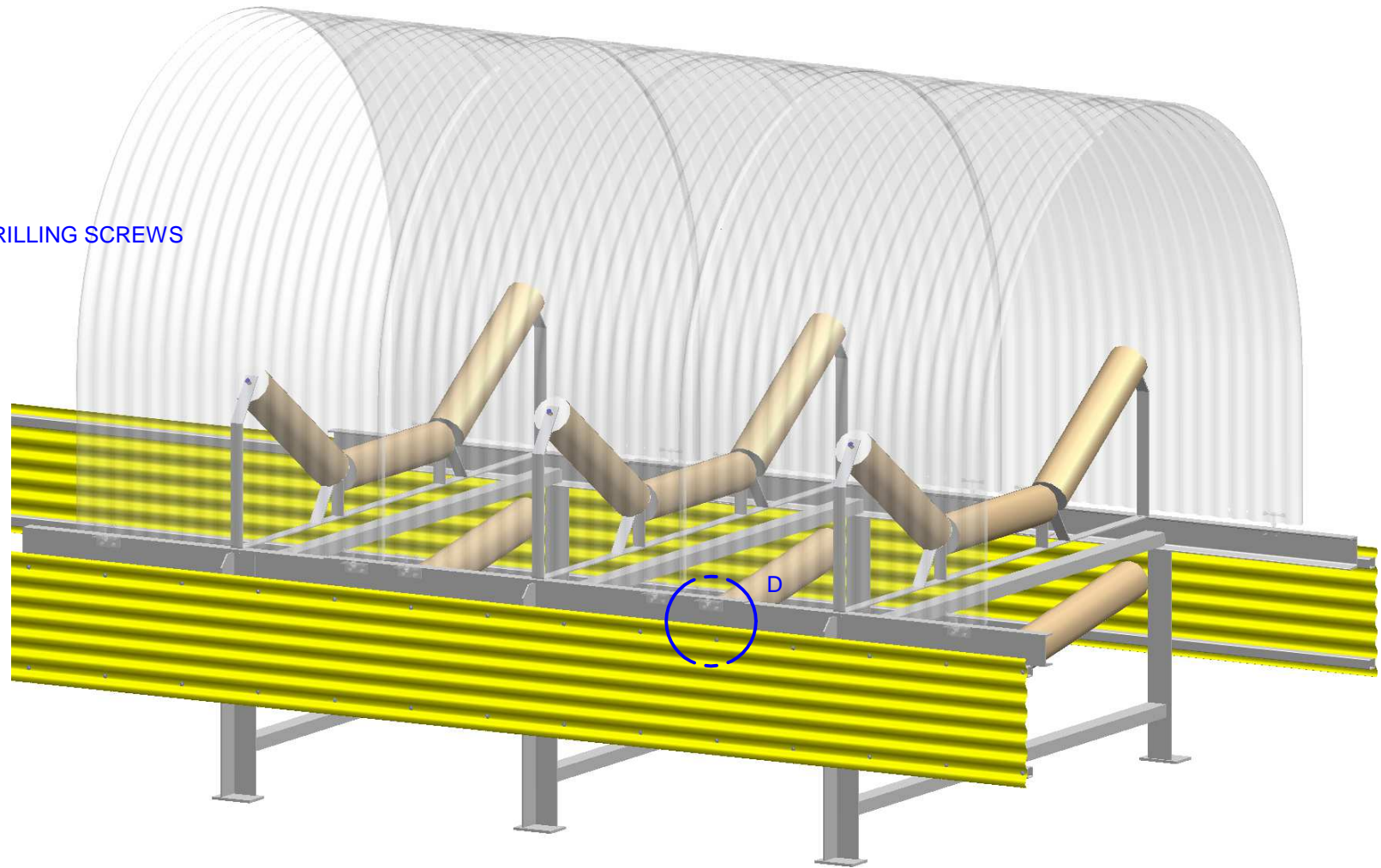
SCALE	DESIGNED	DRAWN	CHECKED	SHEET 3 OF 4	FORMAT
-	ENE-11	.	.	EUR	A3
NAME	SIGNATURE	P.GLEZ	J.SAURA	DRAWING NUMBER	
CAPOSIDE SCREW				CAPOSIDE_01	
				CAD FILE	
				CAPOSIDE_01 (ingles).dft	

INSTALLATION EXAMPLE OPTION 2



SELF-DRILLING SCREWS

DETAIL D



NOT SPECIFIED TOLERANCE

DIMENSIONS		ANGLES	
()	: ±2.00	0°	: ±02' 00"
X.	: ±0.50		
X.0	: ±0.25	0° 0'	: ±00' 30"
X.00	: ±0.08		
X.000	: ±0.02	0° 0' 0"	: ±00' 03"

CAD DRAWING. HANDLING ON CAD SYSTEM ONLY

THIS DRAWING IS OWNED BY CAPOTEX.
COPY OR REPRODUCTION IS FORBIDDEN
WITHOUT PREVIOUS NOTICE

SCALE		DESIGNED	DRAWN	CHECKED	SHEET 4 OF 4	FORMAT
DATE		ENE-11			EUR	A3
SIGNATURE		P.GLEZ		J.SAURA		
NAME	CAPOSIDE SCREW				DRAWING NUMBER	
					CAPOSIDE_01	
					CAD FILE	
					CAPOSIDE_01 (ingles).dft	