

ARCUS secondary scraper

9800

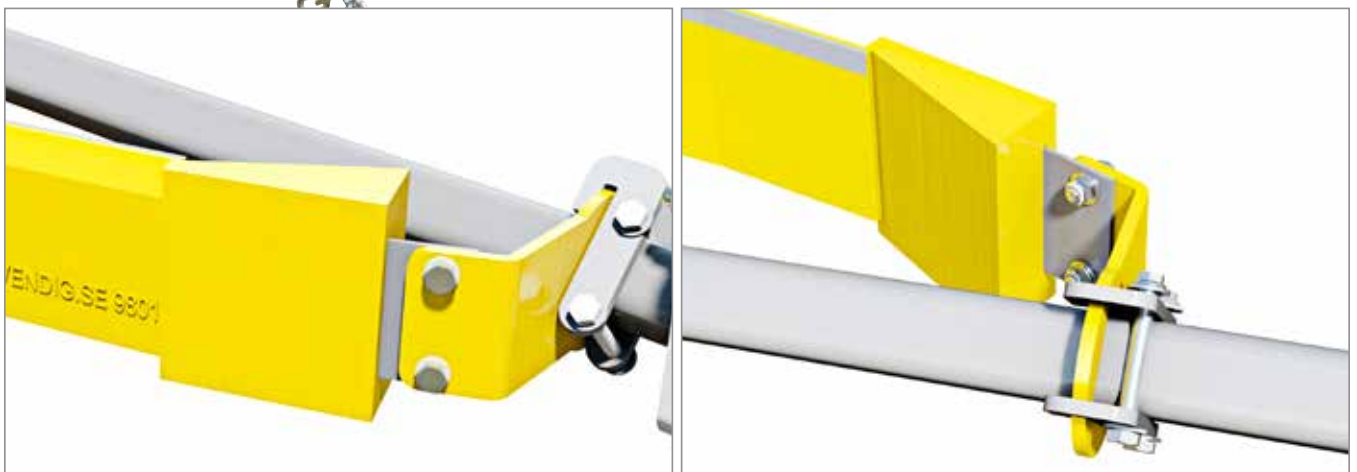
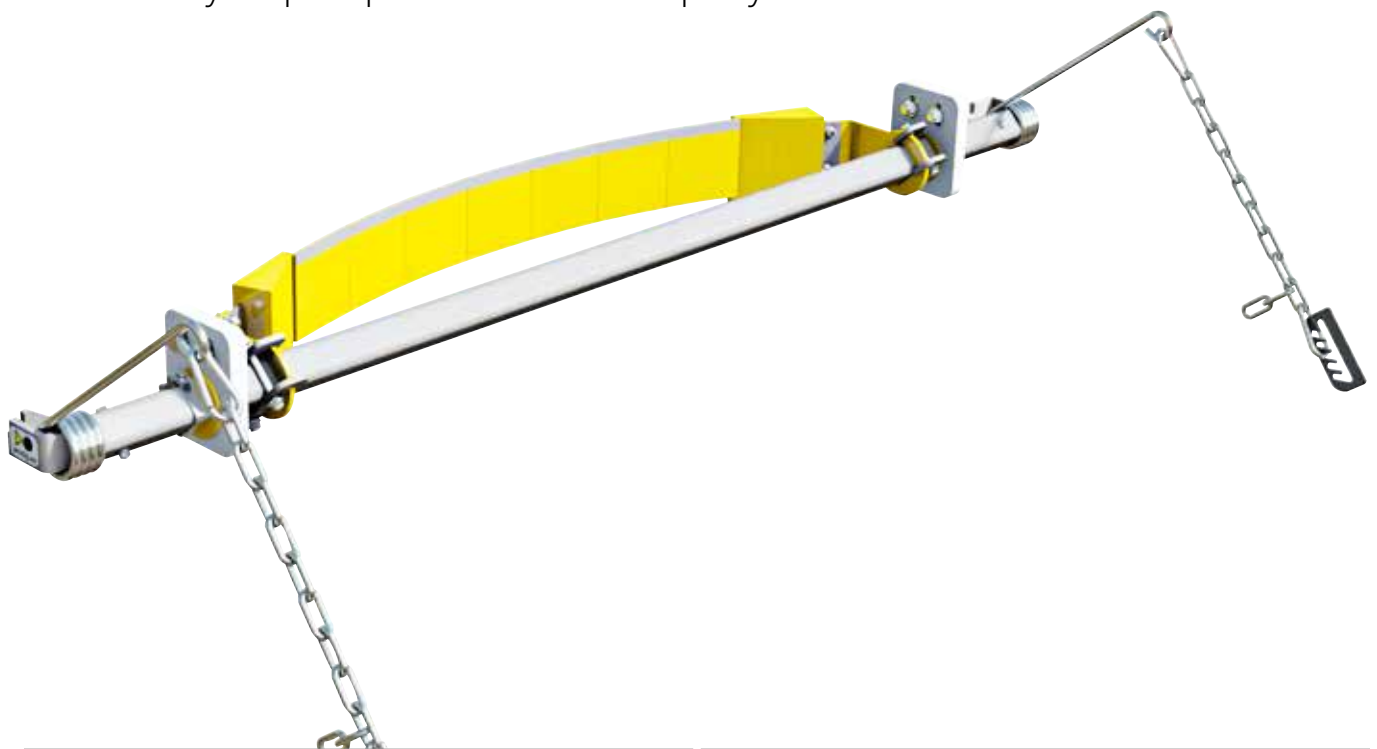
ARCUS SECONDARY-SCRAPER, CARBIDE

– Parabolic scraper with highly effective cleaning effect.

Arcus secondary scraper 9800 with scraper segments made of polyurethane with embedded carbide. The segments are mounted in an arc that stretches upwards against the belt under the drive pulley. Thanks to the maximum blade pressure in the centre of the belt, the cleaning effect is highly effective even on worn, bowl-shaped belts.

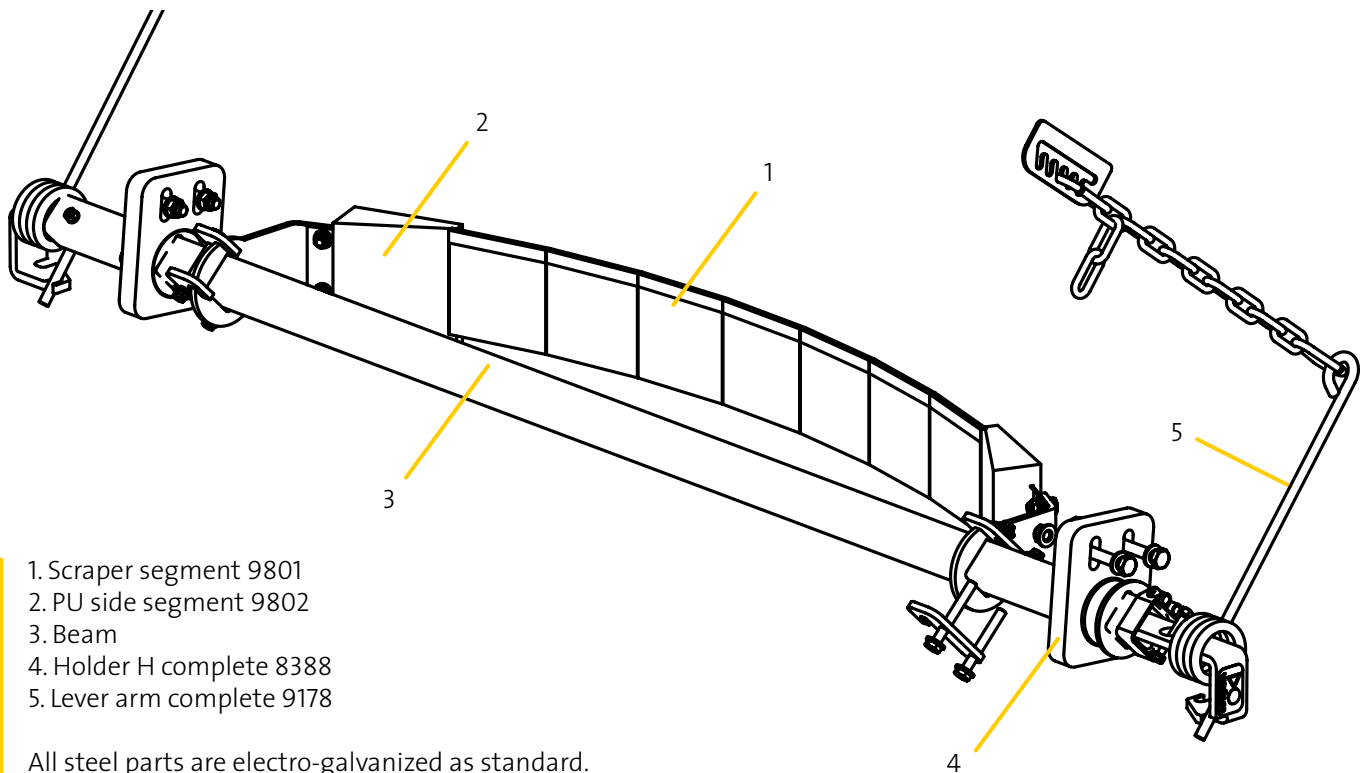
Our unique spring lever arm ensures correct pressure against the belt is maintained, which simplifies service work and reduces maintenance.

The secondary scraper is placed under the drive pulley.



The side segment for gentler placing against the edge of the belt.

Product information 9800

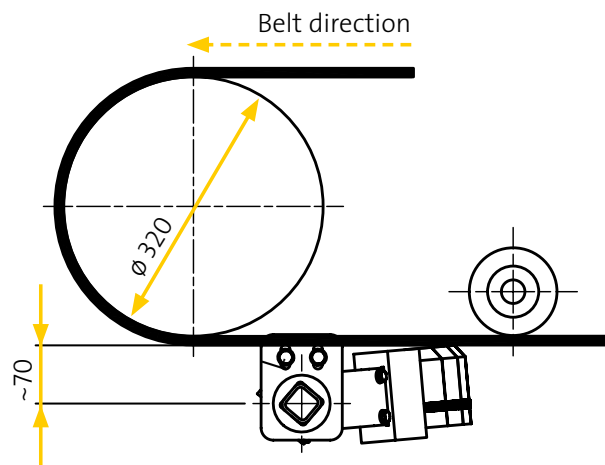


- 1. Scraper segment 9801
- 2. PU side segment 9802
- 3. Beam
- 4. Holder H complete 8388
- 5. Lever arm complete 9178

All steel parts are electro-galvanized as standard. Stainless steel or powder-coated alternatives are also available.

From B-B 1000 the scraper is delivered with dual lever arms.

Carbide, encased in polyurethane.



ART.NO.	B-B	AMOUNT SEGMENT*	SCRAPER WIDTH	BEAM LENGTH
9805	500	4	400	1100
9806	650	5	500	1200
9808	800	7	700	1400
9810	1000	9	900	1600
9812	1200	11	1100	1800

* In addition, 2 PU side segments 9802