

PU SCRAPER BOARD

8100

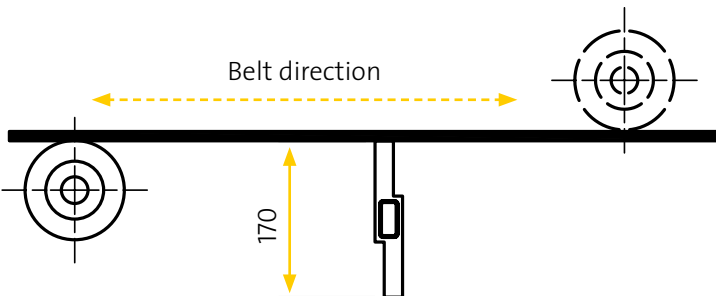
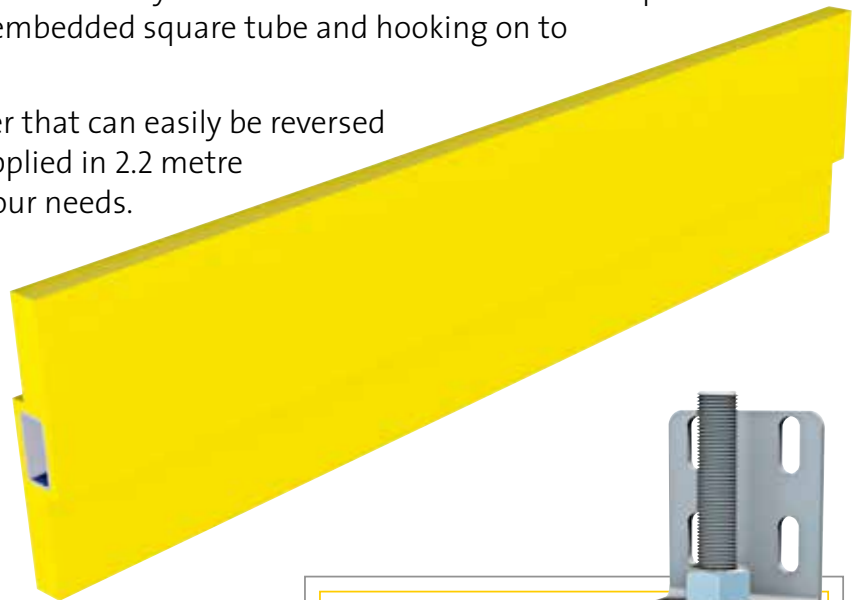
PU SCRAPER BOARD OF POLYURETHANE

– Popular, affordable and reversible scraper board.

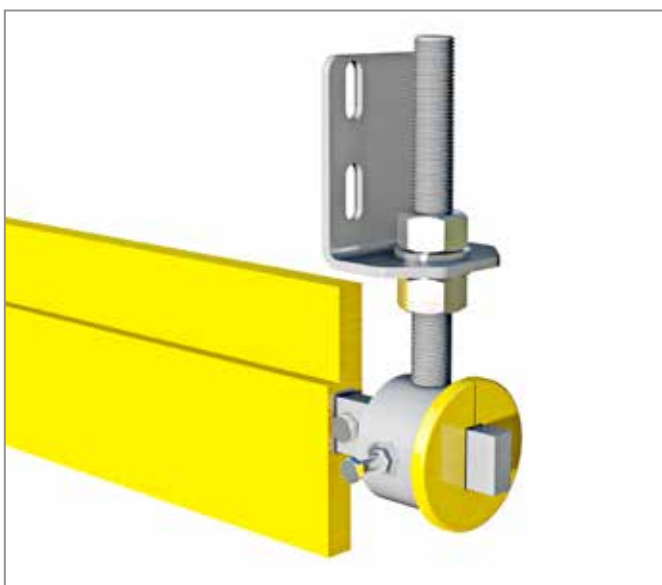
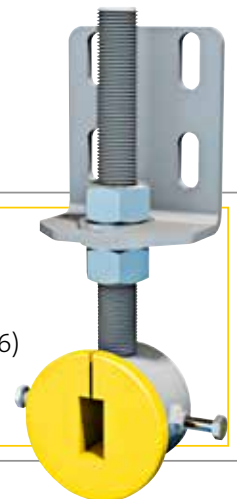
PU scraper board 8100 Replace one of the conveyor belt’s return rollers for a PU scraper board by threading a flat bar through the embedded square tube and hooking on to the framework.

A very popular and affordable scraper that can easily be reversed when one side is worn. Normally supplied in 2.2 metre lengths but can be easily cut to fit your needs.

Suitable as standard for several mobile crushers.



We supply Holder PL-1 adjustable (9380) 1 pair and flat bar (8126) 15x35 from Vendig.



ART.NO.	B-B	L
8104	400	350
8105	500	450
8106	650	550
8108	800	700
8110	1000	900
8112	1200	1100
8114	1400	1300
8116	1600	1500
8118	1800	1700
8120	2000	1900

PU scraper board full length 2.2 m art.no. 8122