

MINI-RASMUS pre-scraper

8000

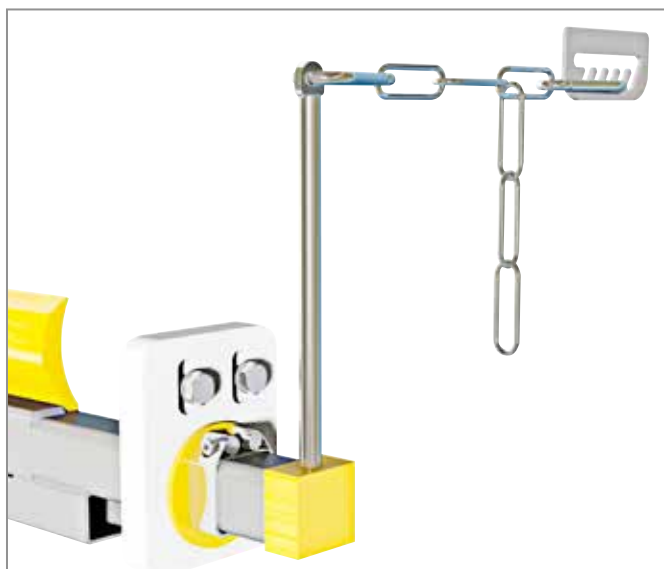
MINI-RASMUS PRE-SCRAPER WITH POLYURETHANE STRIP – For compact installations.

Mini-Rasmus pre-scraper 8000 for pulleys $\varnothing 100$ $\varnothing 250$. Somewhat simplified, you could say that it is a smaller version of the Rasmus pre-scraper 8300 with torsion springs made of polyurethane/steel. The scraper strip's attachment to the beam makes it easy to remove (without tools) when replacing the strip and when cleaning. Simple holder guarantees easy assembly and functionality.

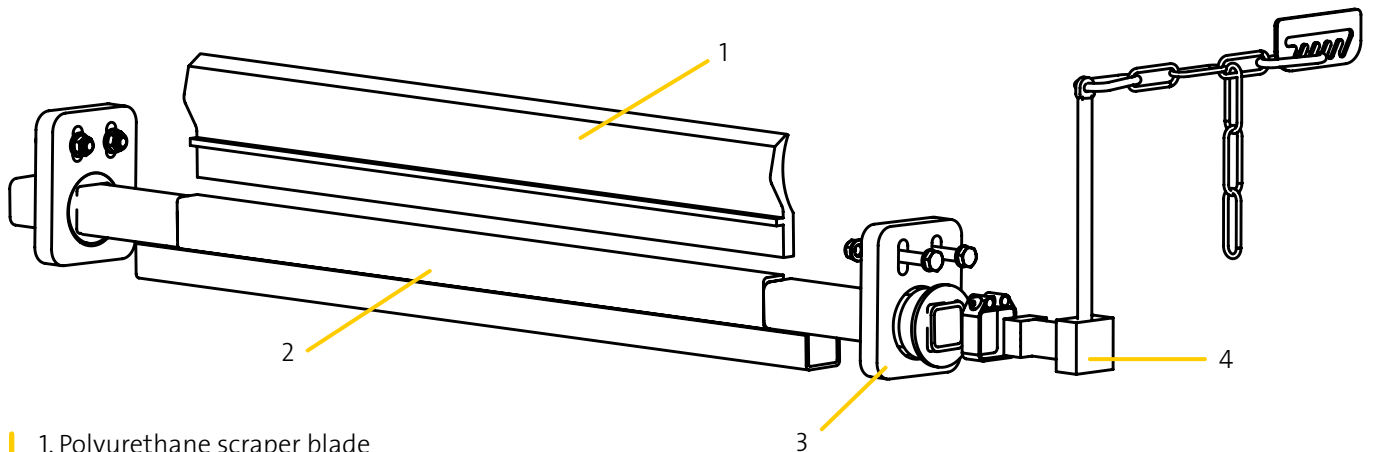
Spare strips are available and in stock for all belt widths.

Our unique spring lever ensures that the correct pressure is maintained against the belt which simplifies service work and reduces maintenance.

The pre-scraper is positioned against the drive pulley immediately below the flow of material.



Product information 8000

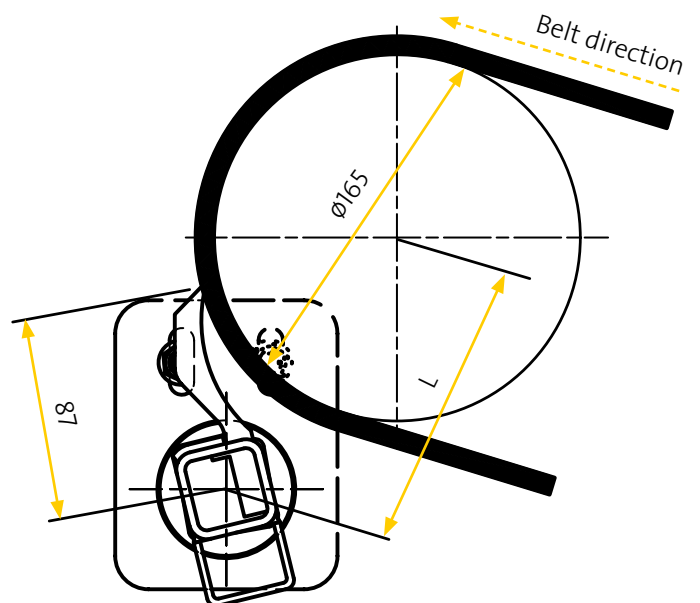


1. Polyurethane scraper blade
2. Beam
3. Holder H complete 8388
4. Lever arm complete 8083

All steel parts are electro-galvanized as standard. Stainless steel or powder-coated alternatives are also available.

From B-B 1000 the scraper is supplied with dual lever arms.

From B-B 1600 the scraper is supplied with Holder HD.



ART.NO.	B-B	SCRAPER WIDTH	ART.NO. SPARES LIST
8004	400	350	8024
8005	500	450	8025
8006	650	550	8026
8008	800	700	8028
8010	1000	900	8030
8012	1200	1050	8032
8014	1400	1250	8034
8016	1600	1450	8036
8018	1800	1650	8038
8020	2000	1850	8040

Lillasmus strip, total length = 2.4 m art.no. 8342